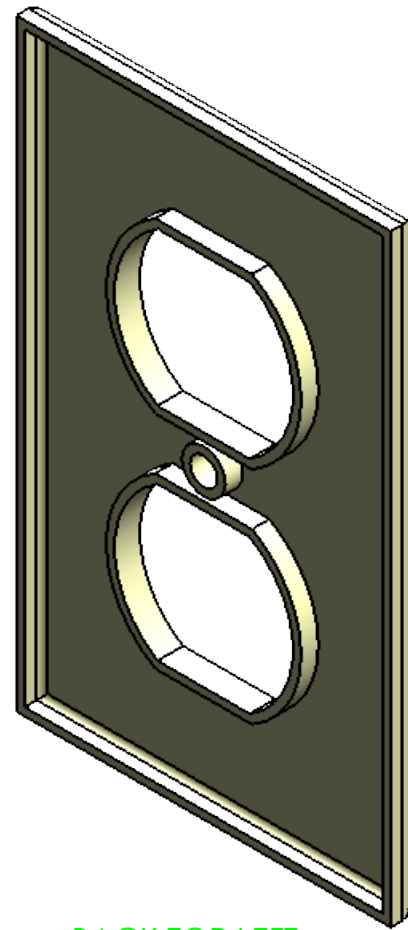


4

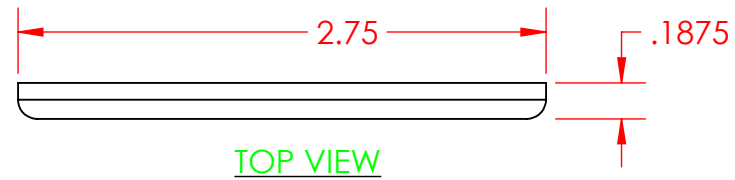
3

2

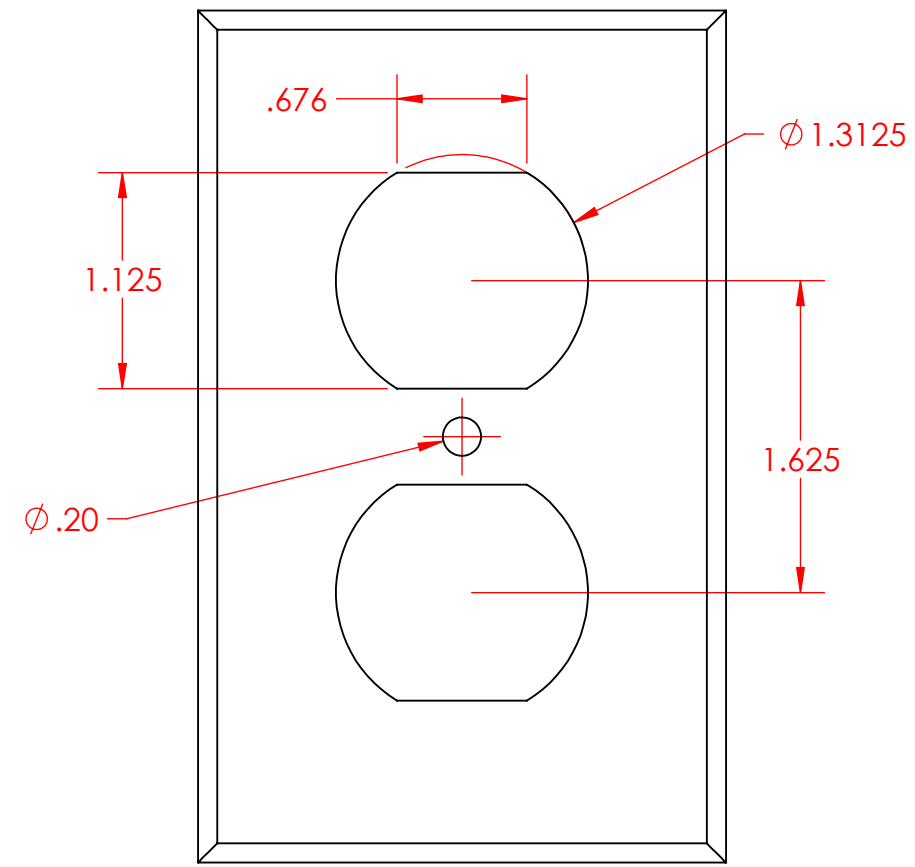
1



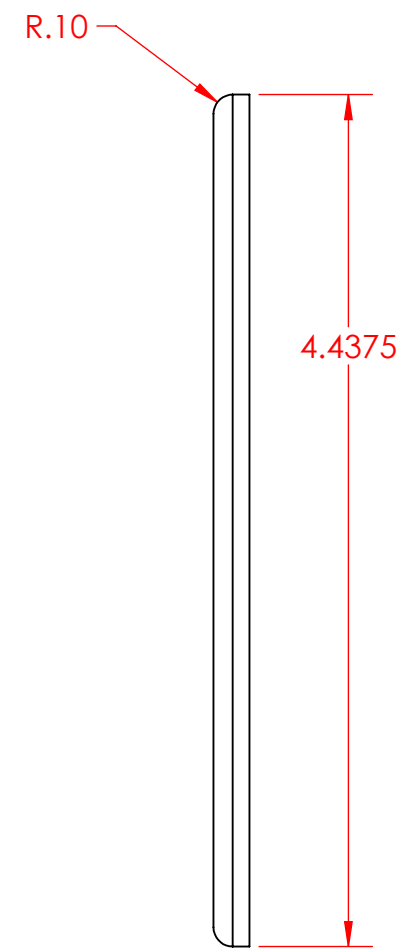
BACK TOP LEFT ISOMETRIC VIEW



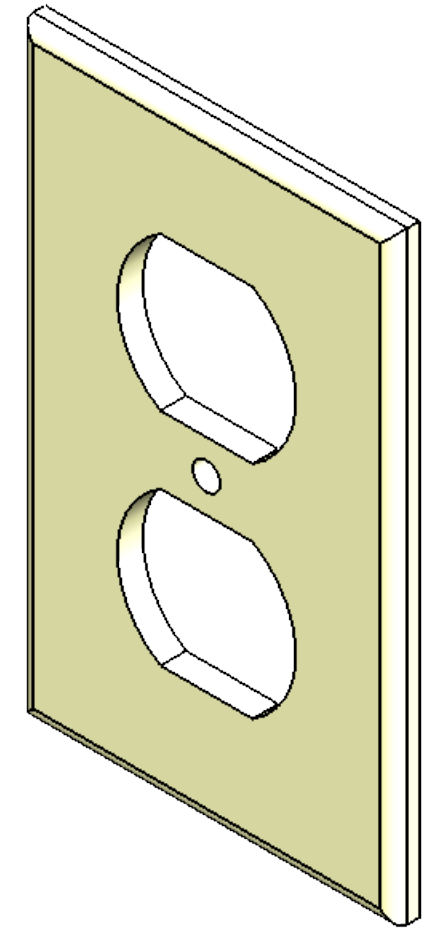
TOP VIEW



FRONT VIEW



RIGHT VIEW



FRONT TOP RIGHT ISOMETRIC VIEW

SHEET NOTES:

- 1. SHELL THICKNESS 0.060 INCHES
- 2. MATERIAL - PVC RIGID
- 3. CENTER OF MASS ( INCHES ) X = 0.00 Y = 0.00 Z = 0.1340
- 4. MASS = 0.0344 LBS

PROPRIETARY AND CONFIDENTIAL

THE INFORMATION CONTAINED IN THIS DRAWING AND ANY RELATED MATERIAL IS THE SOLE PROPERTY OF ENTERPRISE DESIGN AND INNOVATIONS. ANY SHARING OF THIS INFORMATION, IN WHOLE OR ANY PART THEREOF IS PROHIBITED WITHOUT EXPRESS WRITTEN CONSENT OF ENTERPRISE DESIGN AND INNOVATIONS.

OUTLET PLATE  
ELECTRICAL DESIGN  
VARIOUS VIEWS

REVISIONS DATE:	ITEM:	NAME	DATE
		DRAWN CSS	9/24/17
		CHECKED 000	000
		APPV. 000	000
		VERSION DATE	9/24/2017
		SHEET FILE NAME: 170924-Outlet	

UNITS IN INCHES  
TOLERANCES ARE 0.010 INCHES UNLESS OTHERWISE NOTED

SHEET 1	SHEET SCALE 1:1	SHEET SIZE B	REV
---------	-----------------	--------------	-----



4

3

2

1

B

B

A

A