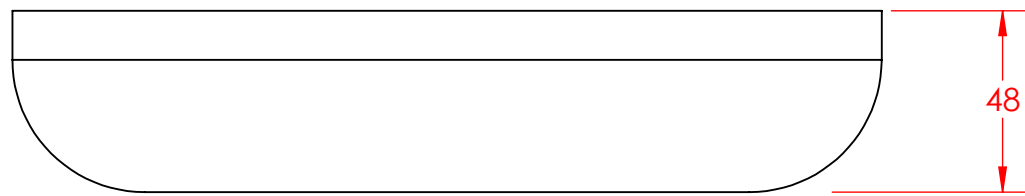


4

3

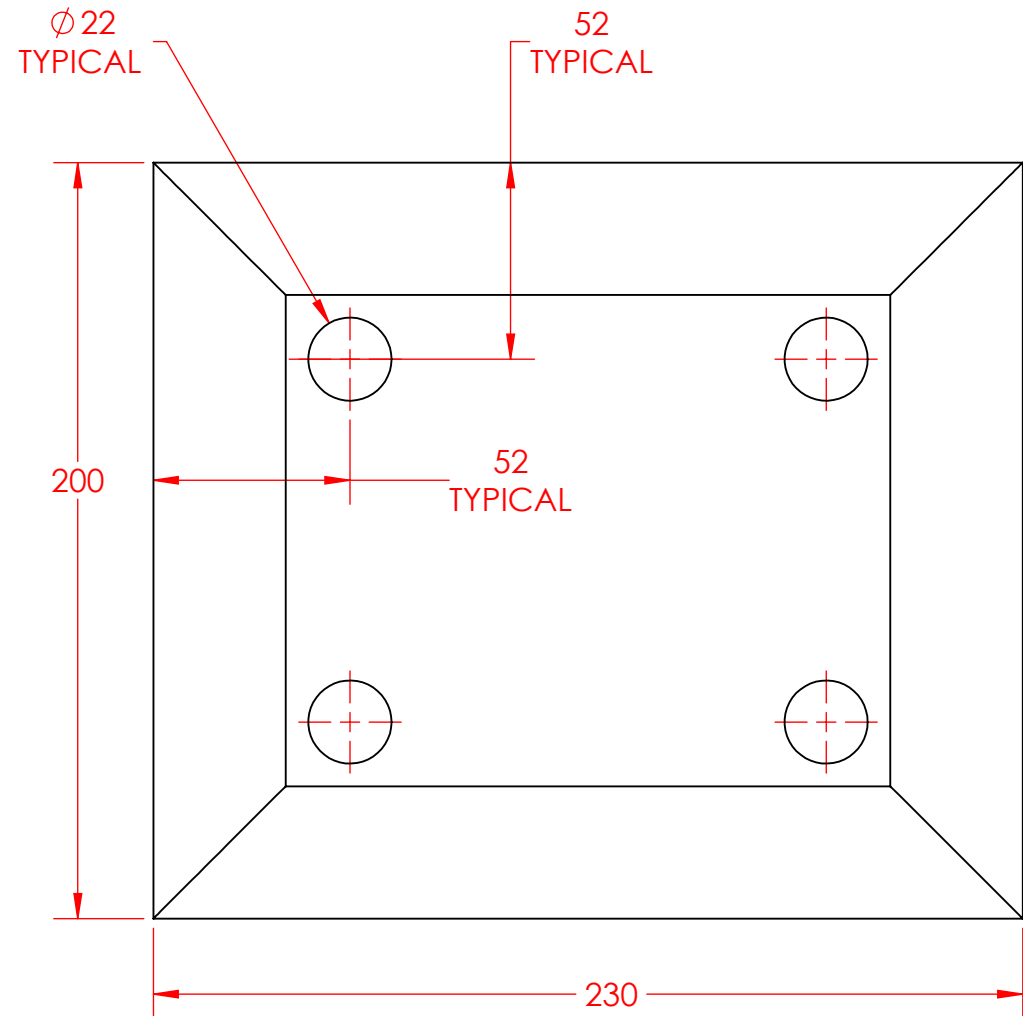
2

1



48

TOP VIEW



Ø22
TYPICAL

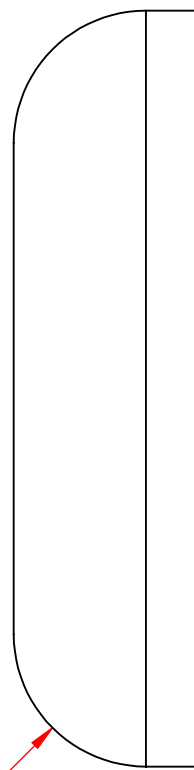
52
TYPICAL

52
TYPICAL

200

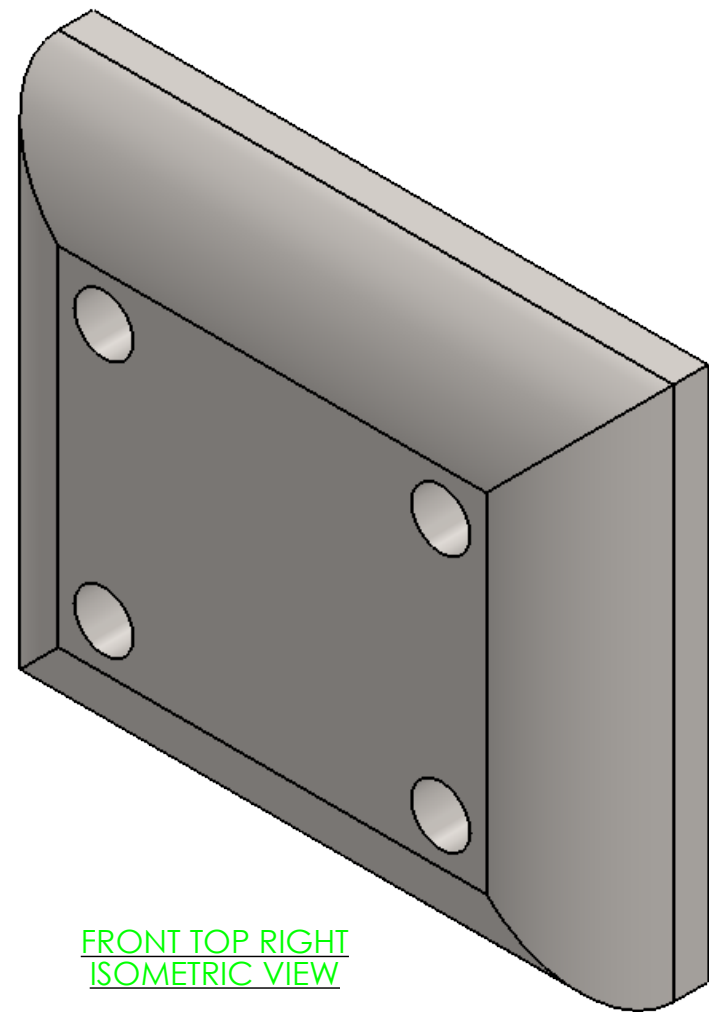
230

FRONT VIEW



R35

RIGHT VIEW



FRONT TOP RIGHT
ISOMETRIC VIEW

SHEET NOTES

- 1. MATERIAL - PLAIN CARBON STEEL
- 2. UNITS - MILLIMETERS

PROPRIETARY AND CONFIDENTIAL

THE INFORMATION CONTAINED IN THIS DRAWING AND ANY RELATED MATERIAL IS THE SOLE PROPERTY OF ENTERPRISE DESIGN AND INNOVATIONS. ANY SHARING OF THIS INFORMATION, IN WHOLE OR ANY PART THEREOF IS PROHIBITED WITHOUT EXPRESS WRITTEN CONSENT OF ENTERPRISE DESIGN AND INNOVATIONS.

PRESS PLATE
PRESS EQUIPMENT
VARIOUS VIEWS

REVISIONS
DATE:

ITEM:

NAME DATE

DRAWN	CSS	9/29/17
CHECKED	000	000
APPV.	000	000

UNITS IN MILLIMETERS
TOLERANCES ARE 0.010
INCHES UNLESS OTHERWISE
NOTED

VERSION DATE 10/2/2017

SHEET FILE NAME: 170929-2016-Press-Plate

SHEET
1

SHEET SCALE
1:2

SHEET SIZE
B

REV



4

3

2

1

B

B

A

A