

4

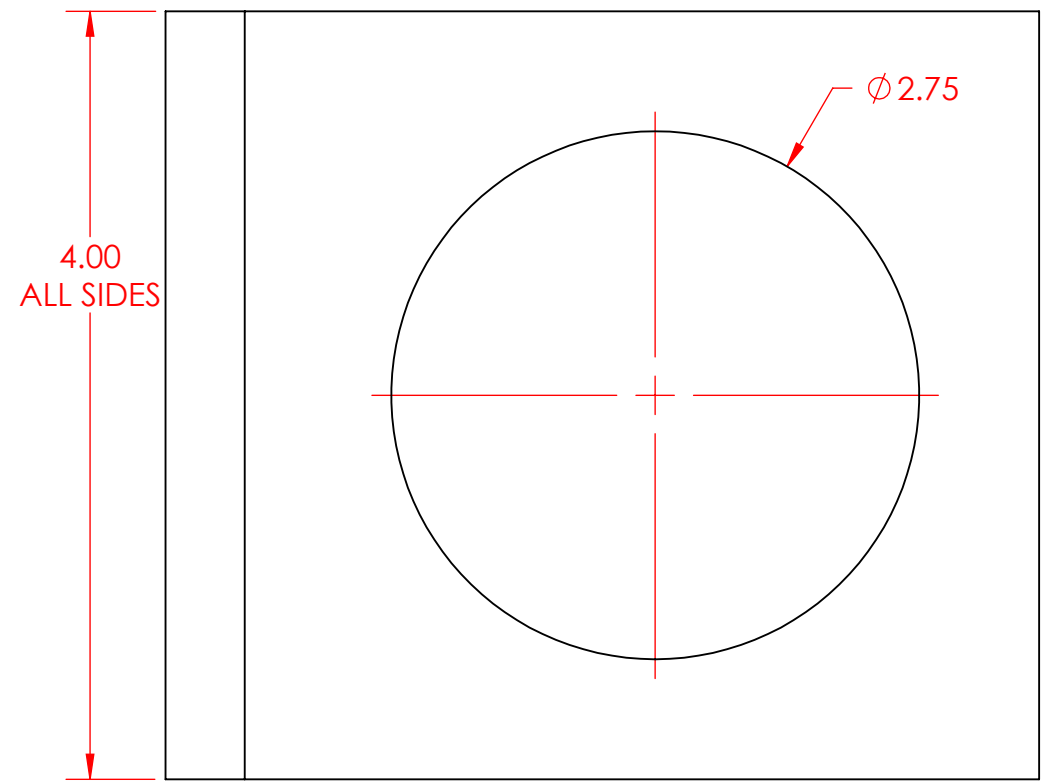
3

2

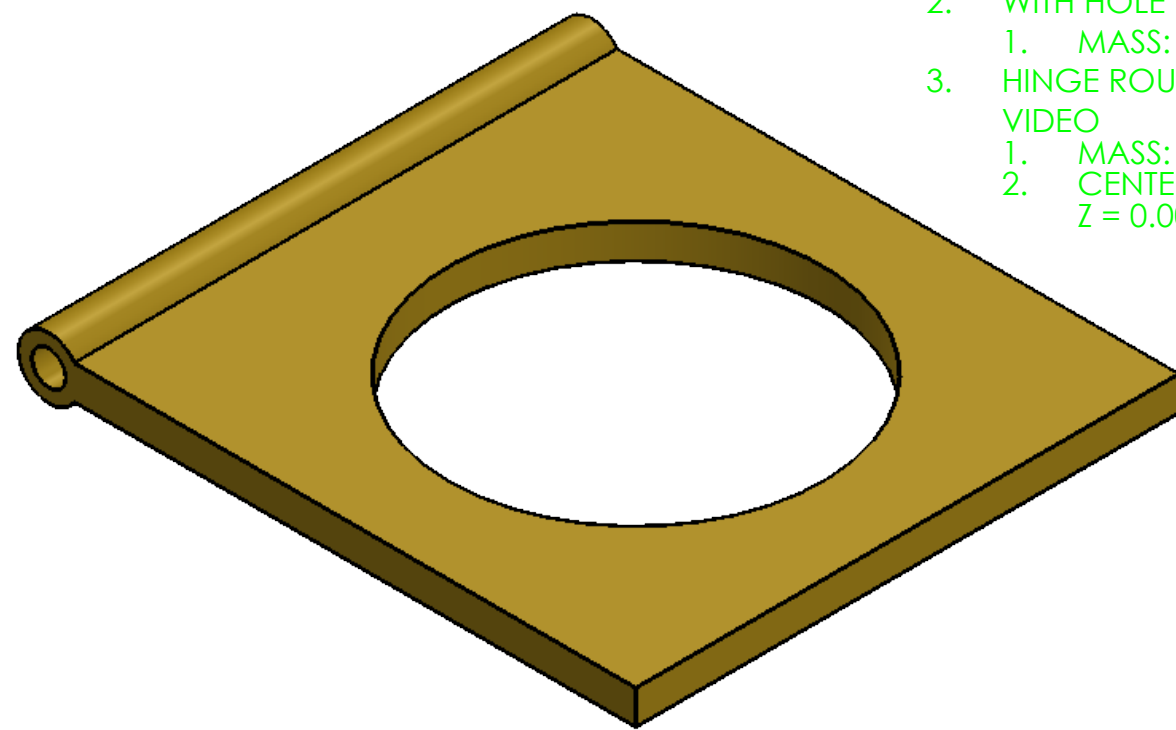
1

SHEET NOTES:

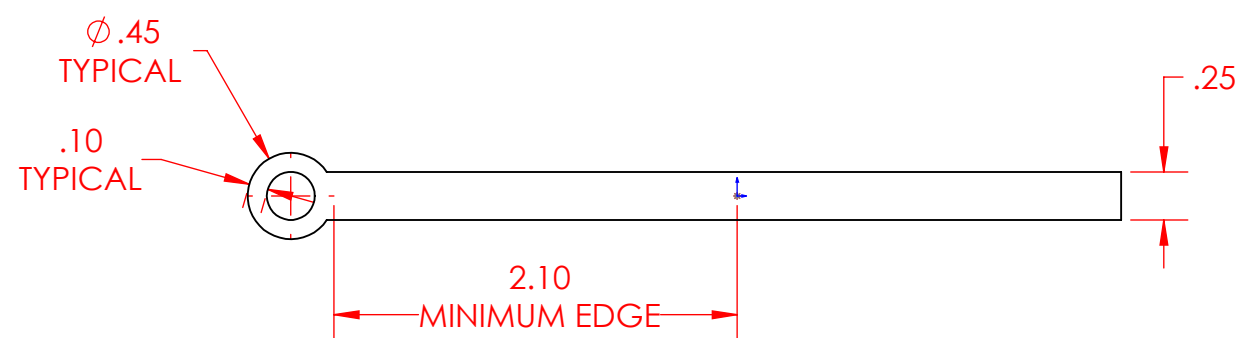
- 1. BASE: 4 INCH SQUARE, 0.25 INCH THICK WITH SYMMETRY
- 2. WITH HOLE
 - 1. MASS: 0.7723 POUNDS
- 3. HINGE ROUND AND HOLE PER INSTRUCTIONAL VIDEO
 - 1. MASS: 0.9419 POUNDS
 - 2. CENTER OF MASS: X = -0.4086, Y = 0.0000, Z = 0.0000



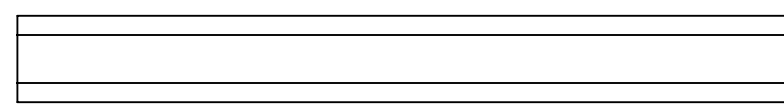
TOP VIEW



ISOMETRIC VIEW



FRONT VIEW



RIGHT VIEW

PROPRIETARY AND CONFIDENTIAL

THE INFORMATION CONTAINED IN THIS DRAWING AND ANY RELATED MATERIAL IS THE SOLE PROPERTY OF ENTERPRISE DESIGN AND INNOVATIONS. ANY SHARING OF THIS INFORMATION, IN WHOLE OR ANY PART THEREOF IS PROHIBITED WITHOUT EXPRESS WRITTEN CONSENT OF ENTERPRISE DESIGN AND INNOVATIONS.

"HINGE PLATE (PARTIAL) SARRUS MECHANISM VARIOUS VIEWS				REVISIONS DATE:	ITEM:	NAME	DATE	UNITS IN INCHES TOLERANCES ARE 0.010 INCHES UNLESS OTHERWISE NOTED
						DRAWN	CSS	
		CHECKED	000	000				
		APPV.	000	000				
		MATERIAL: Brass						
SHEET 1	SHEET SCALE 1:1	SHEET SIZE B	REV	VERSION DATE	10/2/2017	SHEET FILE NAME: Hinge-Plate-1		



4

3

2

1

B

B

A

A