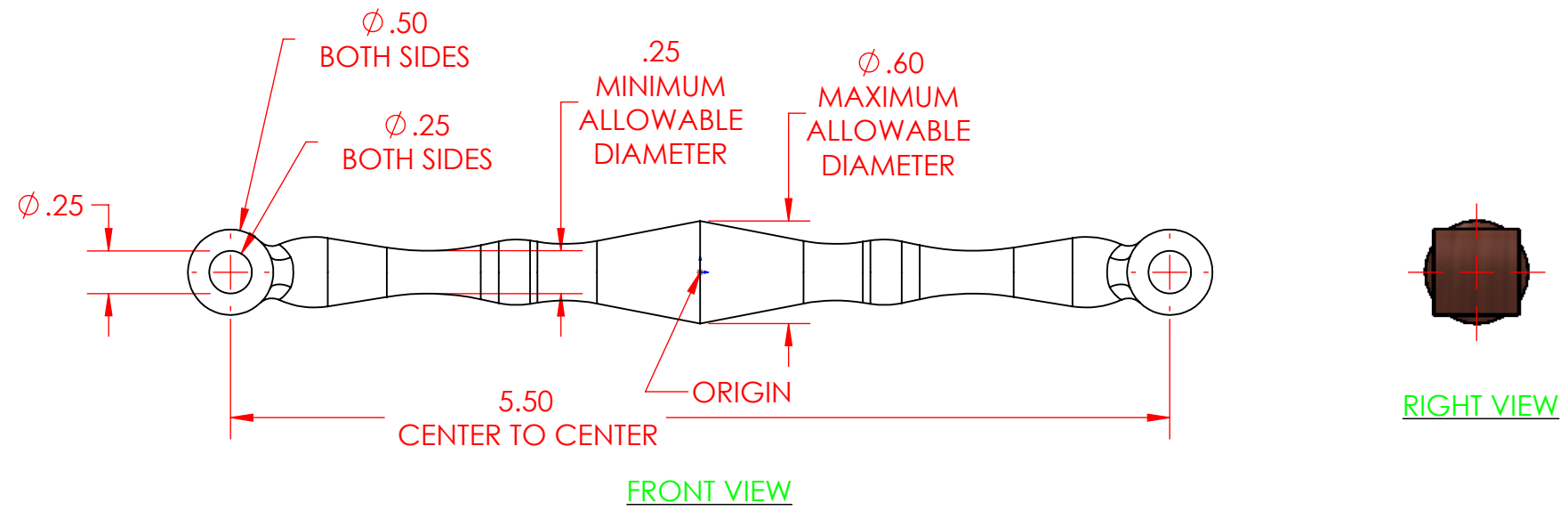
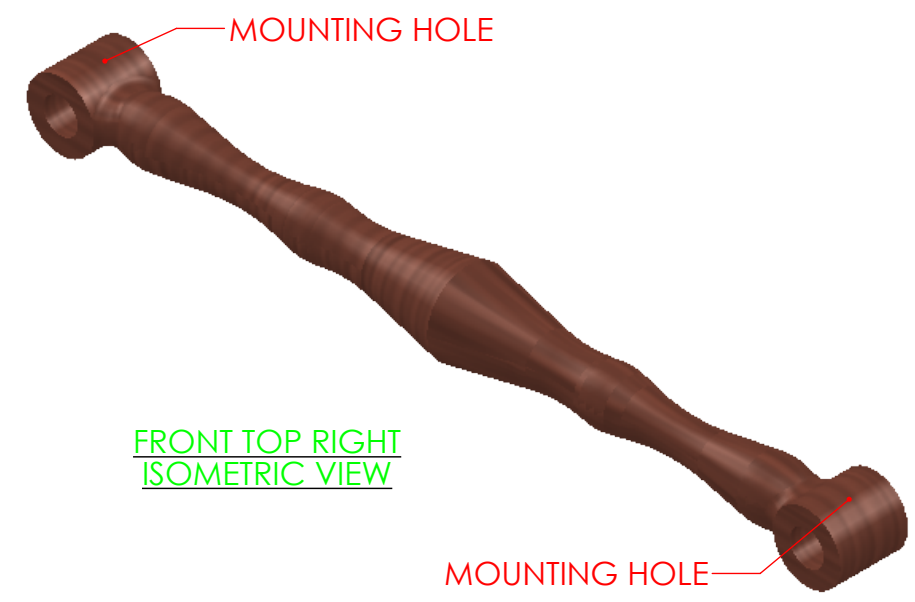
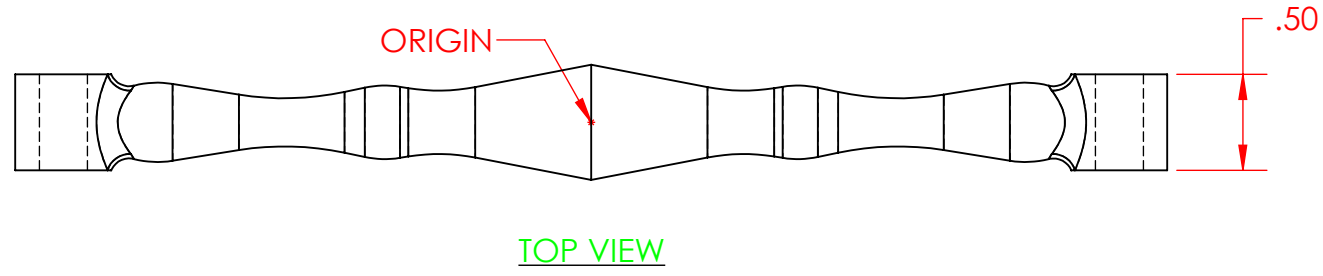


4

3

2

1



**SHEET NOTES:**

1. LOTS OF SYMMETRY, TAKE ADVANTAGE OF IT
2. MATERIAL OF YOUR CHOICE
3. MOUNTING HOLES ON THE FRONT PLANE, SEE DIMENSIONS IN DRAWING VIEW, MID PLANE EXTRUSION, MIRROR FEATURE
4. SOLID REVOLVED BOSS/BASE FEATURE WITH FULLY DEFINED SKETCHES. DESIGN OF YOUR CHOICE, SKETCH MUST CONTAIN: MODEL LINES AND ARCS, DIMENSIONS TO THE HORIZONTAL CENTER LINE, ANGLE DIMENSIONS TO THE HORIZONTAL CENTERLINE, SYMMETRY BETWEEN THE RIGHT AND LEFT SIDES. BE AWARE OF THE MINIMUM AND MAXIMUM ALLOWABLE DIAMETERS.

**PROPRIETARY AND CONFIDENTIAL**

THE INFORMATION CONTAINED IN THIS DRAWING AND ANY RELATED MATERIAL IS THE SOLE PROPERTY OF ENTERPRISE DESIGN AND INNOVATIONS. ANY SHARING OF THIS INFORMATION, IN WHOLE OR ANY PART THEREOF IS PROHIBITED WITHOUT EXPRESS WRITTEN CONSENT OF ENTERPRISE DESIGN AND INNOVATIONS.

SARRUS PUSH ROD				REVISIONS DATE:	ITEM:	NAME	DATE	UNITS IN INCHES
						DRAWN	CSS	
SARRUS MECHANISM						CHECKED	000	TOLERANCES ARE 0.010 INCHES UNLESS OTHERWISE NOTED
						APPV.	000	000
VARIOUS VIEWS						MATERIAL	Beryllium Copper, UNS C17200	
						VERSION DATE	10/8/2017	
SHEET 1	SHEET SCALE 1:1	SHEET SIZE B	REV			SHEET FILE NAME: 171008-2016-Sarrus-Push-Rod		



4

3

2

1

B

B

A

A