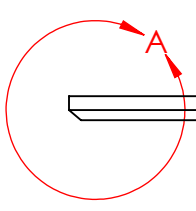
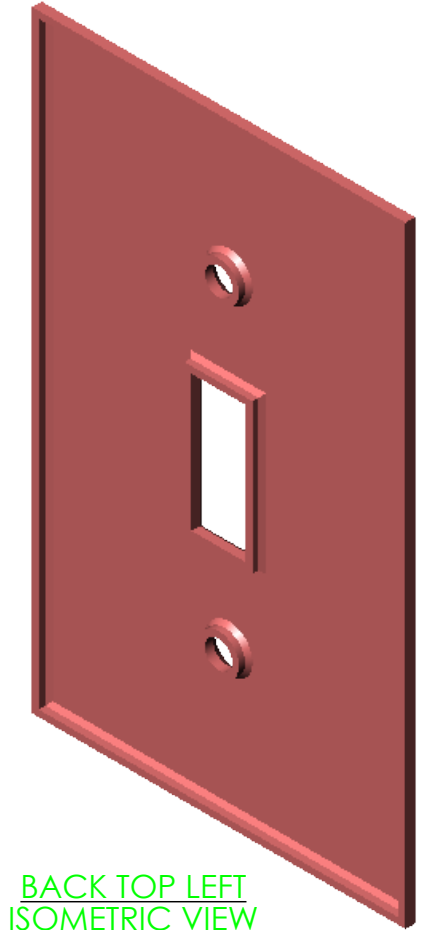


4

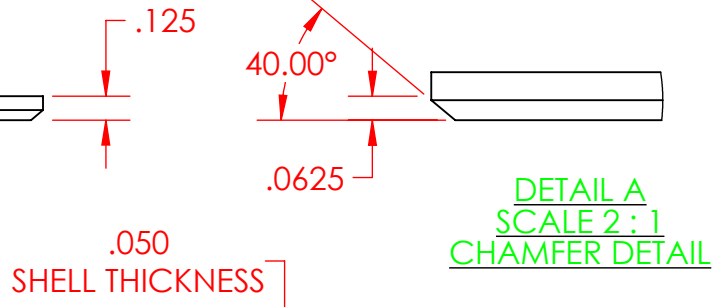
3

2

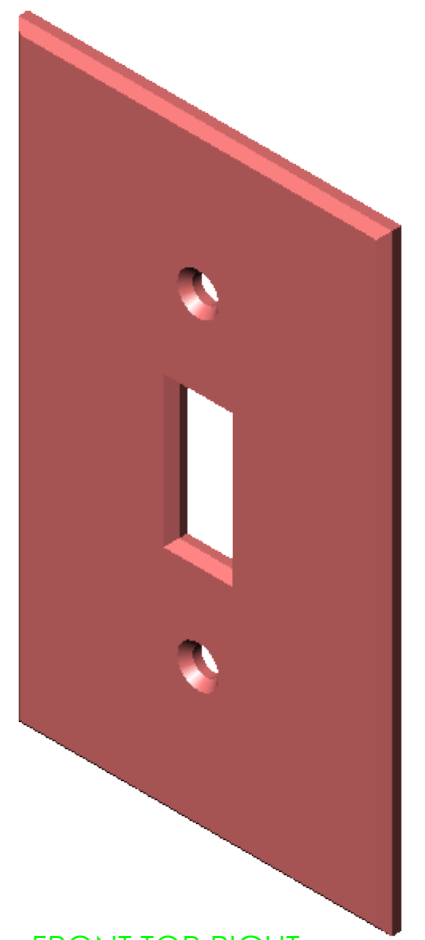
1



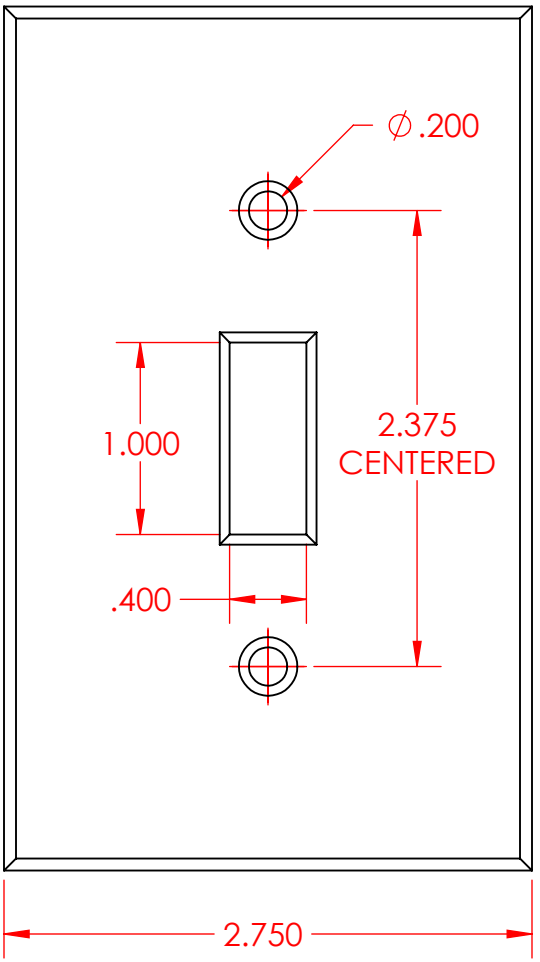
TOP VIEW



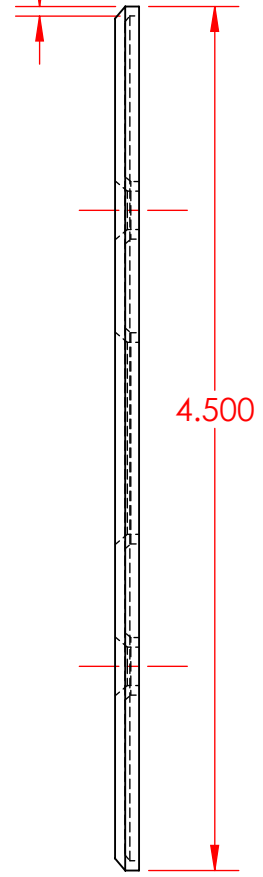
DETAIL A  
SCALE 2:1  
CHAMFER DETAIL



FRONT TOP RIGHT  
ISOMETRIC VIEW



FRONT VIEW



RIGHT VIEW

SHEET NOTES: SUGGESTED FEATURE ORDER AND MASS PROPERTIES - MATERIAL: ABS

1. BASE FEATURE EXTRUDE TO THE FRONT
  1. MASS = 0.0570 POUNDS
  2. CENTER OF MASS: X = 0.0000, Y = 0.0000, Z = 0.0625
2. SWITCH CUT
  1. MASS = 0.0552 POUNDS
  2. CENTER OF MASS: X = 0.0000, Y = 0.0000, Z = 0.0625
3. MOUNTING HOLE
  1. MASS = 0.0549 POUNDS
  2. CENTER OF MASS: X = 0.0000, Y = 0.0000, Z = 0.0625
4. PART CHAMFER ALL FRONT EDGES
  1. MASS = 0.0537 POUNDS
  2. CENTER OF MASS: X = 0.0000, Y = 0.0000, Z = 0.0616
5. BACK SHELL
  1. MASS = 0.0237 POUNDS
  2. CENTER OF MASS: X = 0.0000, Y = 0.0000, Z = 0.0924

PROPRIETARY AND CONFIDENTIAL

THE INFORMATION CONTAINED IN THIS DRAWING AND ANY RELATED MATERIAL IS THE SOLE PROPERTY OF ENTERPRISE DESIGN AND INNOVATIONS. ANY SHARING OF THIS INFORMATION, IN WHOLE OR ANY PART THEREOF IS PROHIBITED WITHOUT EXPRESS WRITTEN CONSENT OF ENTERPRISE DESIGN AND INNOVATIONS.

SWITCH PLATE DESIGN ELECTRICAL ITEMS VARIOUS VIEWS				REVISIONS DATE:	ITEM:	NAME	DATE	UNITS IN INCHES TOLERANCES ARE 0.010 INCHES UNLESS OTHERWISE NOTED
						DRAWN	CSS	
		CHECKED	MEE	1/3/18				
		APPV.	000	000				
		MATERIAL	ABS					
SHEET 1	SHEET SCALE 1:1	SHEET SIZE B	REV	VERSION DATE	1/8/2018			
				SHEET FILE NAME: 01-Switch-Plate				



4

3

2

1

B

B

A

A