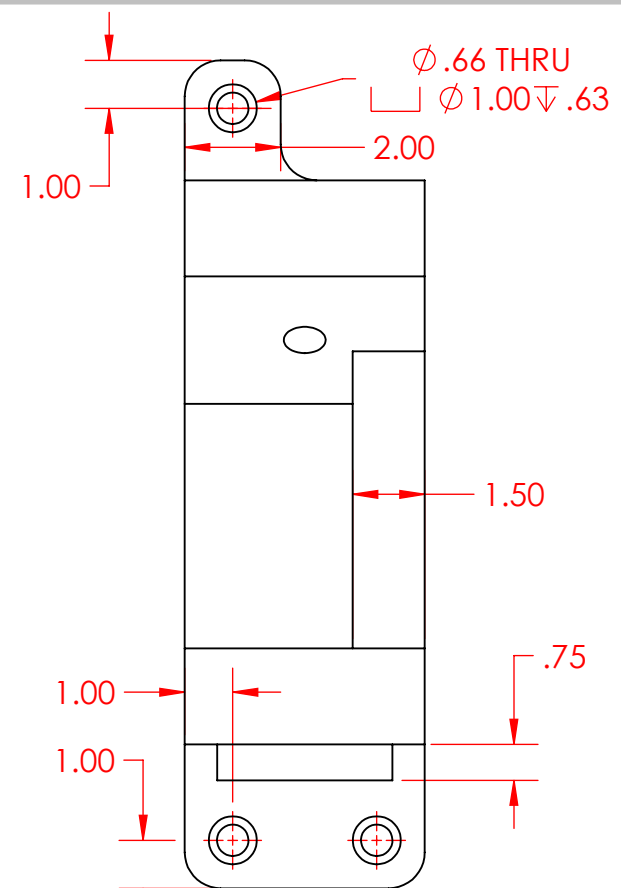


4

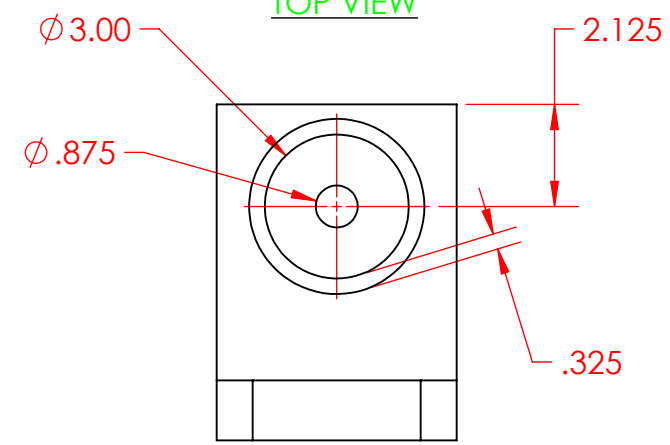
3

2

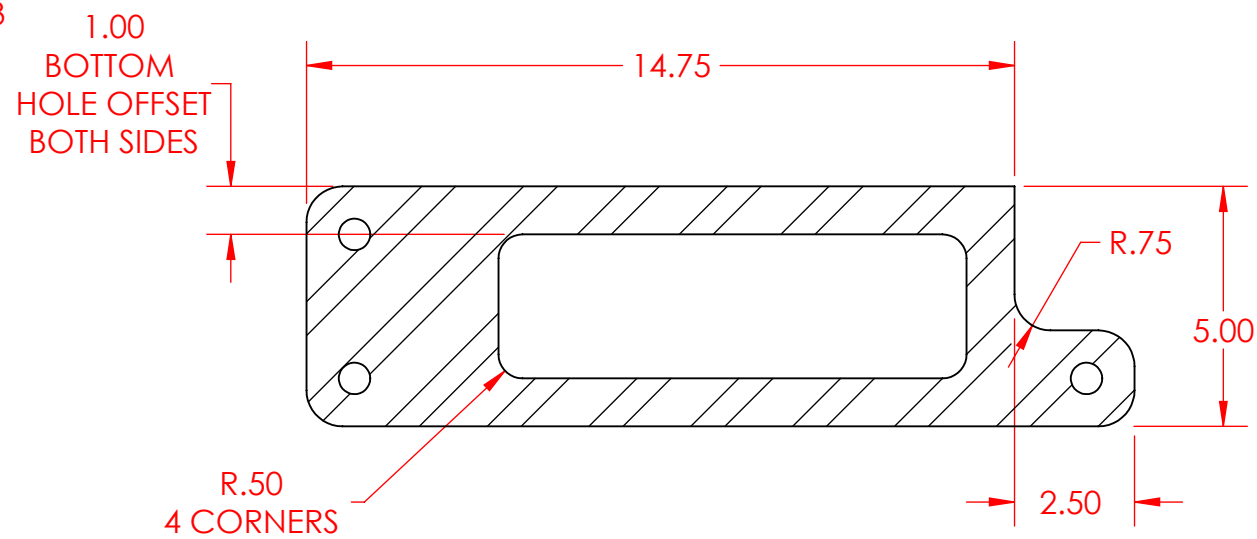
1



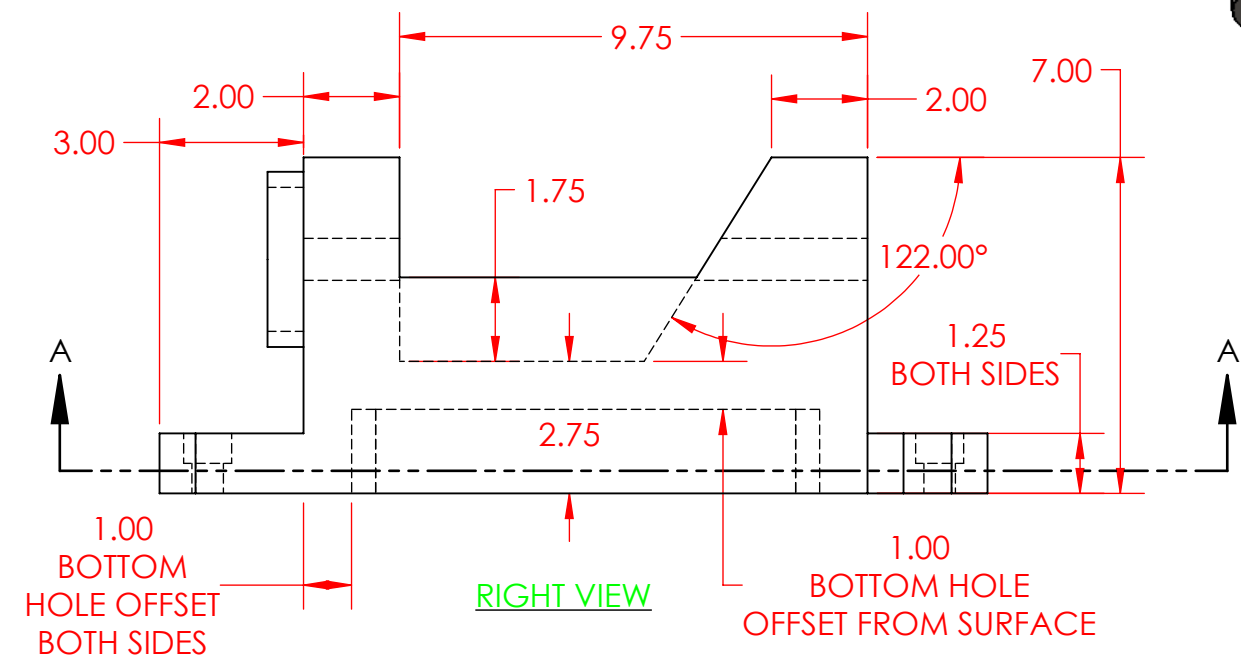
TOP VIEW



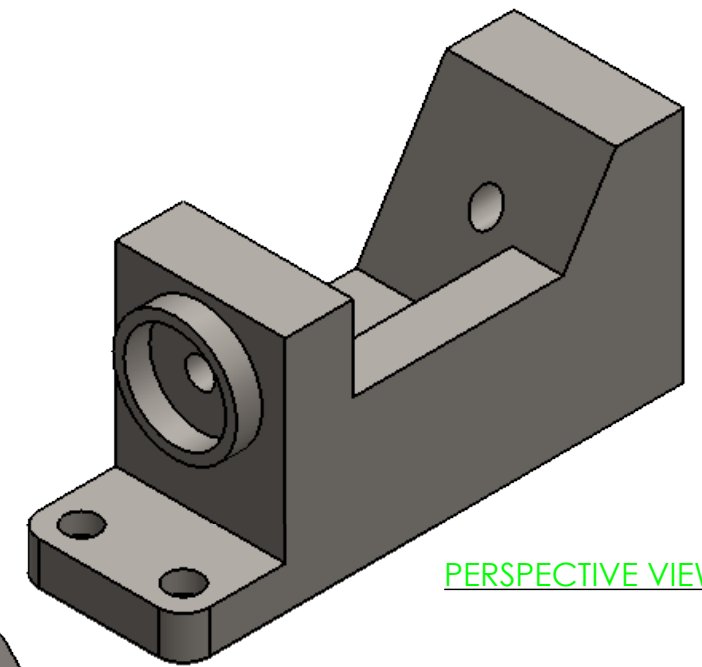
FRONT VIEW



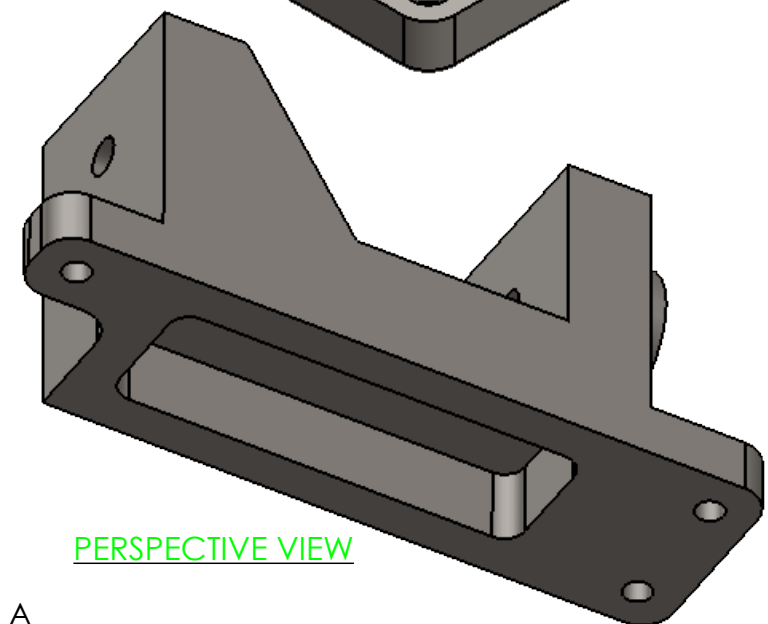
SECTION A-A
SCALE 1:4



RIGHT VIEW



PERSPECTIVE VIEW



PERSPECTIVE VIEW

PROPRIETARY AND CONFIDENTIAL

THE INFORMATION CONTAINED IN THIS DRAWING AND ANY RELATED MATERIAL IS THE SOLE PROPERTY OF ENTERPRISE DESIGN AND INNOVATIONS. ANY SHARING OF THIS INFORMATION, IN WHOLE OR ANY PART THEREOF IS PROHIBITED WITHOUT EXPRESS WRITTEN CONSENT OF ENTERPRISE DESIGN AND INNOVATIONS.

OFFSET BLOCK 67234				REVISIONS DATE:	NAME	DATE	UNITS IN INCHES TOLERANCES ARE 0.010 INCHES UNLESS OTHERWISE NOTED	
MACHINE ELEMENTS				ITEM:	DRAWN	CSS		1/11/18
GENERAL					CHECKED	000		000
					APPV.	000		000
					MATERIAL	ASTM A36 Steel		
SHEET 1	SHEET SCALE 1:4	SHEET SIZE B	REV		VERSION DATE	1/11/2018		
					SHEET FILE NAME: 02-Offset-Block-3-Inch			



4

3

2

1

B

B

A

A