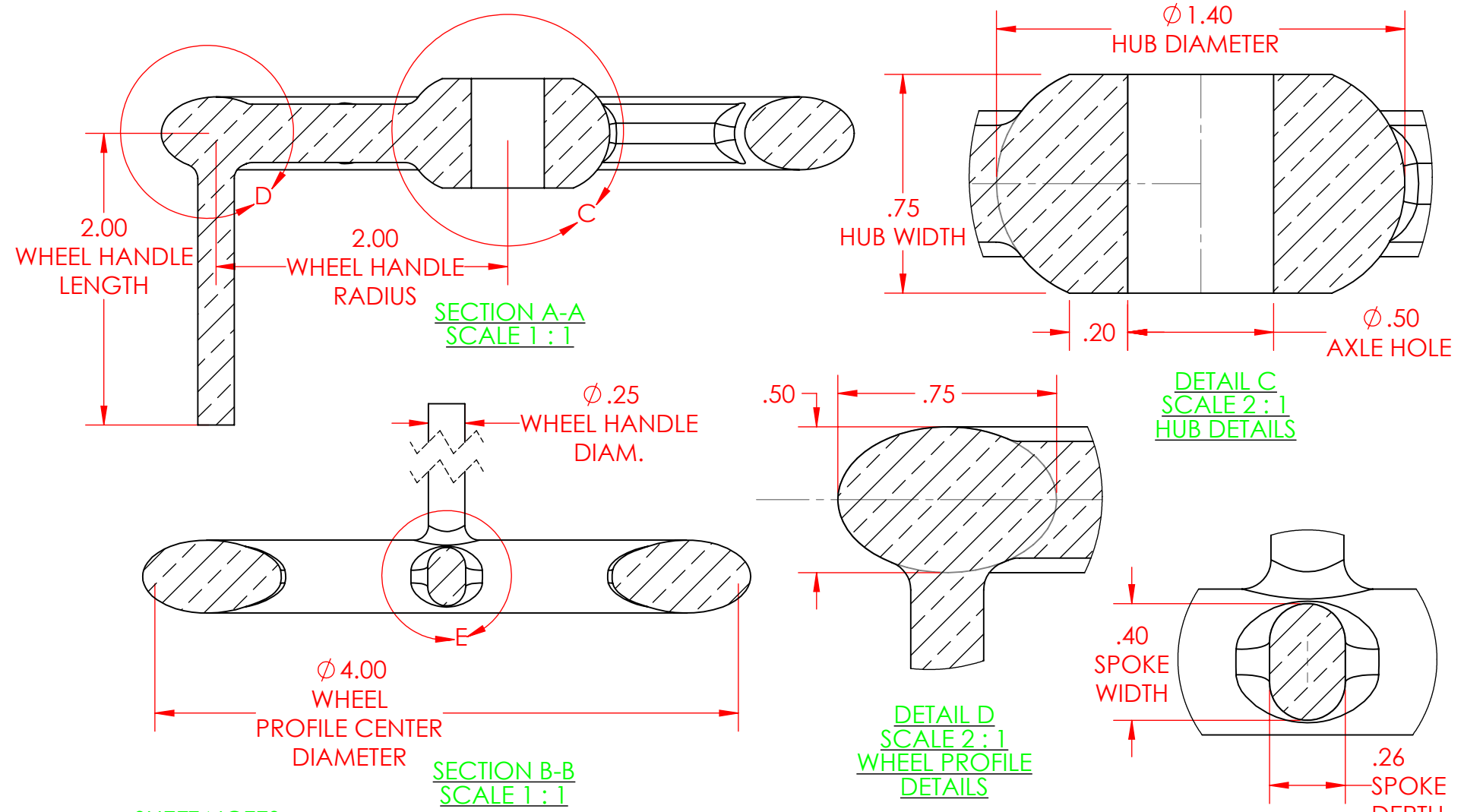
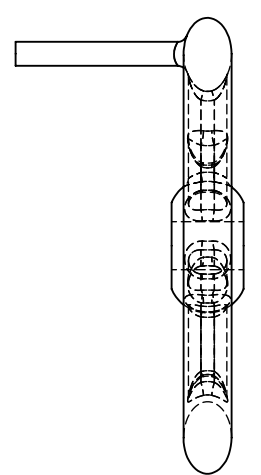
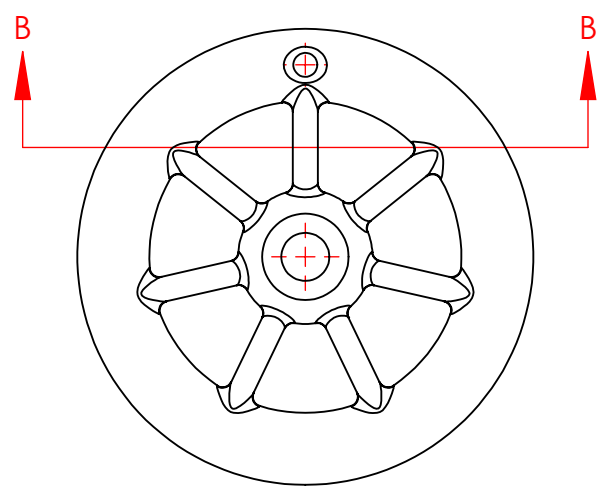
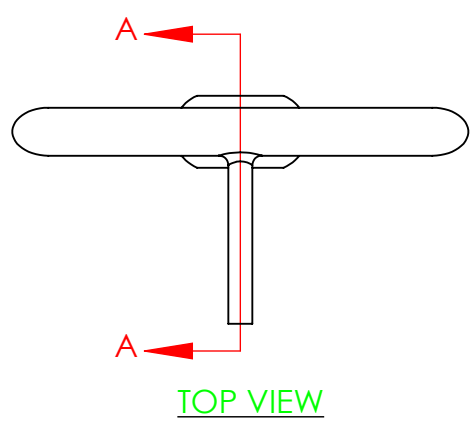


4

3

2

1



SHEET NOTES

- HUB FEATURE - MASS = 0.2141 POUNDS, CENTER OF MASS: X = 0.0000, Y = 0.0000, Z = 0.0000
- HUB AND WHEEL - MASS = 1.2036 POUNDS, CENTER OF MASS: X = 0.0000, Y = 0.0000, Z = 0.0000
- WHEEL HANDLE - MASS = 1.2266 POUNDS, CENTER OF MASS: X = 0.0000, Y = 0.0375, Z = 0.0211
- SPOKE - MASS = 1.2499 POUNDS, CENTER OF MASS: X = 0.0000, Y = 0.0587, Z = 0.0207
- FEATURE FILLET - CHECK VIDEO - MASS = 1.2510 POUNDS, CENTER OF MASS: X = 0.0000, Y = 0.0599, Z = 0.0207
- FINAL MASS PROPERTIES - MASS = 1.3951 POUNDS, CENTER OF MASS: X = 0.0000, Y = 0.0335, Z = 0.0186

PROPRIETARY AND CONFIDENTIAL

THE INFORMATION CONTAINED IN THIS DRAWING AND ANY RELATED MATERIAL IS THE SOLE PROPERTY OF ENTERPRISE DESIGN AND INNOVATIONS. ANY SHARING OF THIS INFORMATION, IN WHOLE OR ANY PART THEREOF IS PROHIBITED WITHOUT EXPRESS WRITTEN CONSENT OF ENTERPRISE DESIGN AND INNOVATIONS.

SARRUS WHEEL SARRUS MECHANISM VARIOUS VIEWS				REVISIONS DATE:	ITEM:	NAME	DATE	UNITS IN INCHES TOLERANCES ARE 0.010 INCHES UNLESS OTHERWISE NOTED
						DRAWN	CSS	
SHEET 1	SHEET SCALE 1:2	SHEET SIZE B	REV			CHECKED	000	000
						APPV.	000	000
						MATERIAL	Aluminum Bronze	
				VERSION DATE	1/27/2018			
				SHEET FILE NAME: 03-Sarrus-Wheel-Ellipse-Revolve-1				



4

3

2

1