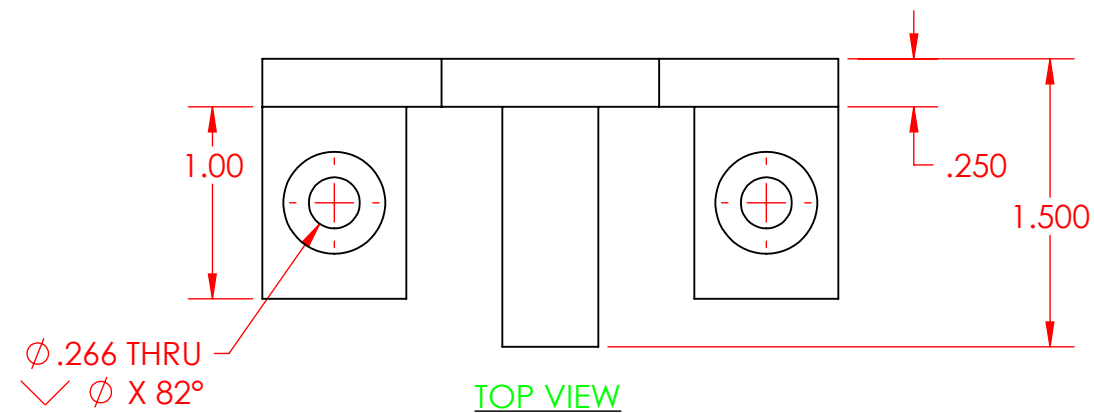


4

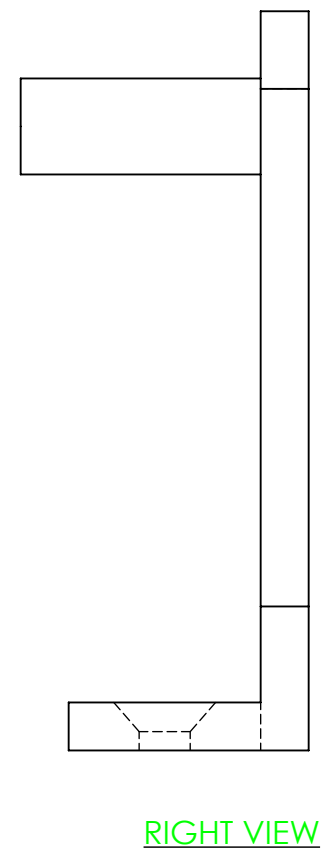
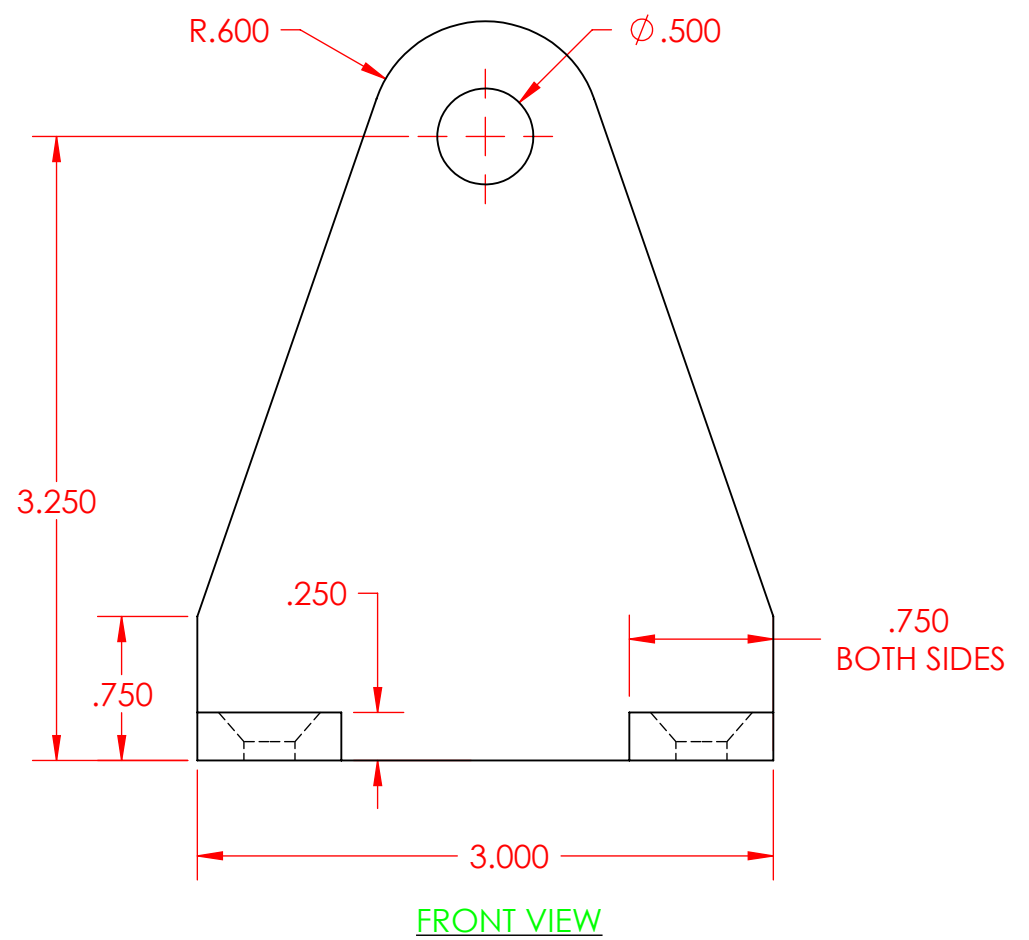
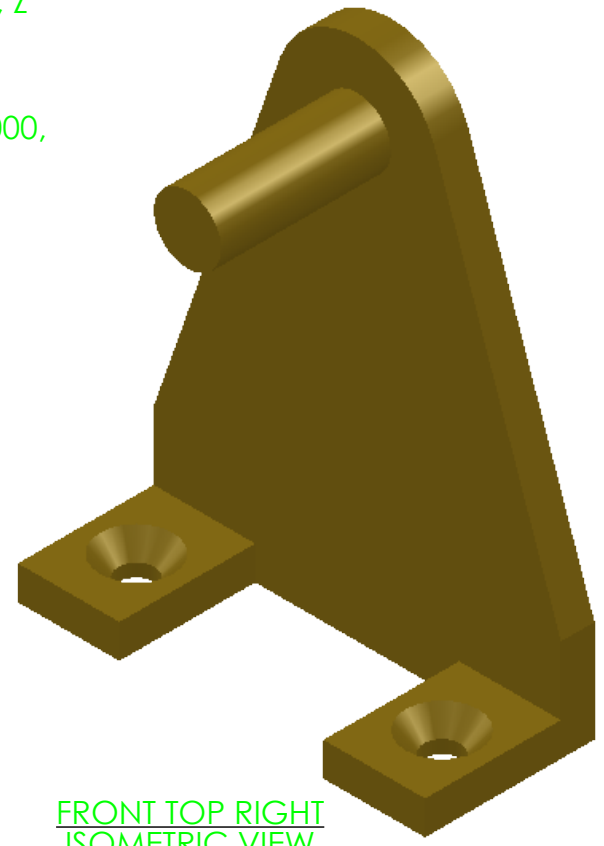
3

2

1



- SHEET NOTES:**
1. BASE FEATURE ON THE FRONT PLANE, ORIGIN CENTERED ON THE BOTTOM EDGE EXTRUDE TOWARD THE FRONT - MASS = 0.6262 POUNDS, CENTER OF MASS - X = 0.000, Y = 1.5464, Z = 0.1250
 2. AXLE - MASS = 0.7016 POUNDS, CENTER OF MASS - X = 0.000, Y = 1.7294, Z = 0.2056
 3. FEET - MASS = 0.8168 POUNDS, CENTER OF MASS - X = 0.000, Y = 1.5032, Z = 0.2823
 4. HOLE TYPE - ANSI INCH, 1/4 INCH COUNTER SUNK HEAD CAP SCREW WITH NORMAL FIT - MASS: 0.8013 POUNDS, CENTER OF MASS: X = 0.0000, Y = 1.5291, Z = 0.2733



PROPRIETARY AND CONFIDENTIAL

THE INFORMATION CONTAINED IN THIS DRAWING AND ANY RELATED MATERIAL IS THE SOLE PROPERTY OF ENTERPRISE DESIGN AND INNOVATIONS. ANY SHARING OF THIS INFORMATION, IN WHOLE OR ANY PART THEREOF IS PROHIBITED WITHOUT EXPRESS WRITTEN CONSENT OF ENTERPRISE DESIGN AND INNOVATIONS.

SARRUS MECHANISM WHEEL MOUNT				REVISIONS DATE:	ITEM:	NAME	DATE	UNITS IN INCHES TOLERANCES ARE 0.010 INCHES UNLESS OTHERWISE NOTED	
SARRUS MECHANISM						DRAWN	CSS		10/4/17
VARIOUS VIEWS						CHECKED	000		000
						APPV.	000		000
						MATERIAL	Brass		
SHEET 1	SHEET SCALE 1:1	SHEET SIZE B	REV			VERSION DATE	1/22/2018		
				SHEET FILE NAME: 03-Sarrus-Wheel-Mount					



4

3

2

1

B

B

A

A