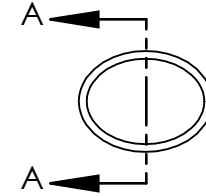


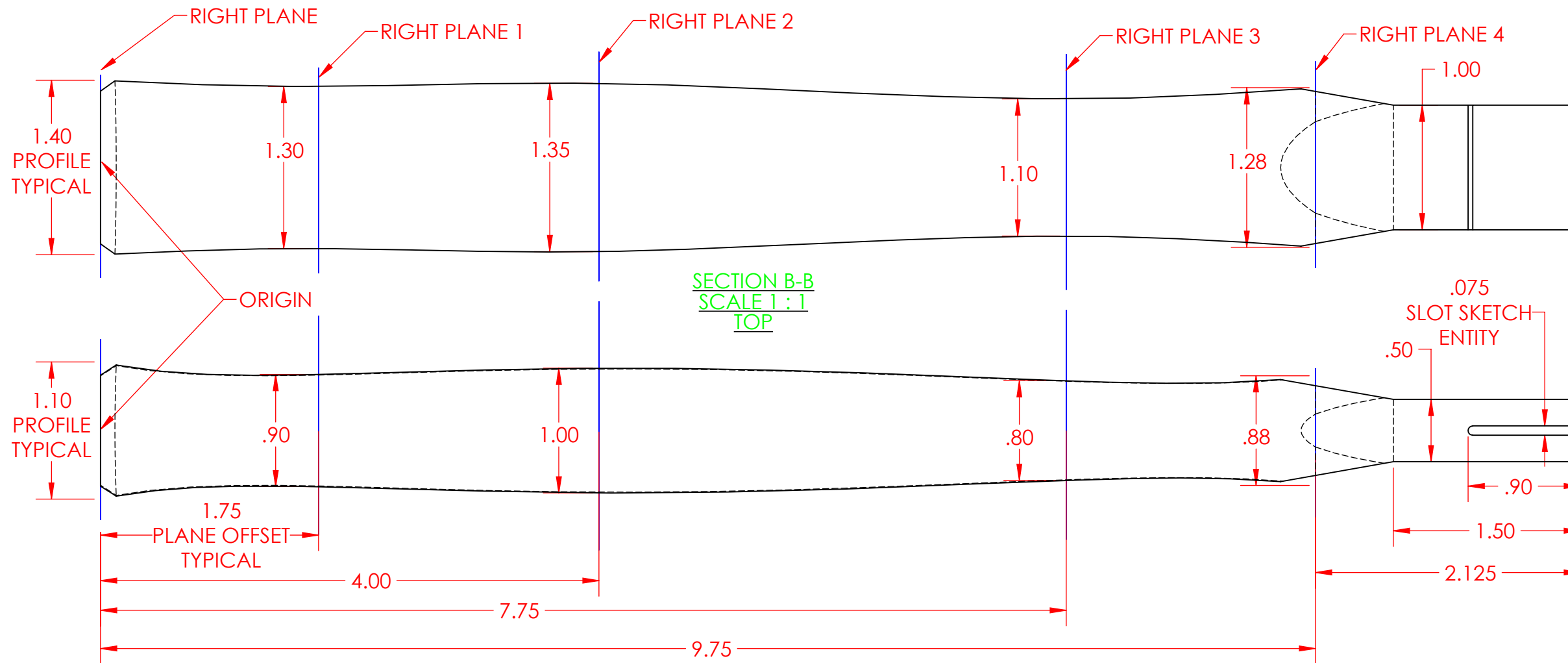
FRONT VIEW



RIGHT VIEW



PERSPECTIVE VIEW



SECTION B-B  
SCALE 1:1  
TOP

SECTION A-A  
SCALE 1:1  
BACK

SHEET NOTES:

- ALL LOFT PROFILES ARE ELLIPSES, WITH DIMENSIONS SHOWN
- FIRST PROFILE ON THE RIGHT PLANE, EACH SUBSEQUENT PLANE AND PROFILE TO THE RIGHT OF THE FORMER - FROM THE BACK VIEW
- BOTTOM CHAMFER, LAST FEATURE, AT 0.125 BY 45 DEGREES
- MASS PROPERTIES:
  - MASS: 0.2128 POUNDS
  - CENTER OF MASS: X = -5.2364, y = 0.0000, Z = 0.0000

PROPRIETARY AND CONFIDENTIAL

THE INFORMATION CONTAINED IN THIS DRAWING AND ANY RELATED MATERIAL IS THE SOLE PROPERTY OF ENTERPRISE DESIGN AND INNOVATIONS. ANY SHARING OF THIS INFORMATION, IN WHOLE OR ANY PART THEREOF IS PROHIBITED WITHOUT EXPRESS WRITTEN CONSENT OF ENTERPRISE DESIGN AND INNOVATIONS.

HAMMER HANDLE 10245				REVISIONS DATE:	ITEM:	NAME	DATE	UNITS IN INCHES TOLERANCES ARE 0.010 INCHES UNLESS OTHERWISE NOTED	
HARDWARE ITEMS						DRAWN	CSS		10/15/17
VARIOUS VIEWS						CHECKED	000		000
						APPV.	000		000
						MATERIAL	Mahogany		
SHEET 1	SHEET SCALE 1:2	SHEET SIZE B	REV			VERSION DATE	10/16/2017		
						SHEET FILE NAME: 171012-2016-Hammer-Handle-1			

