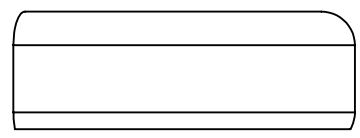
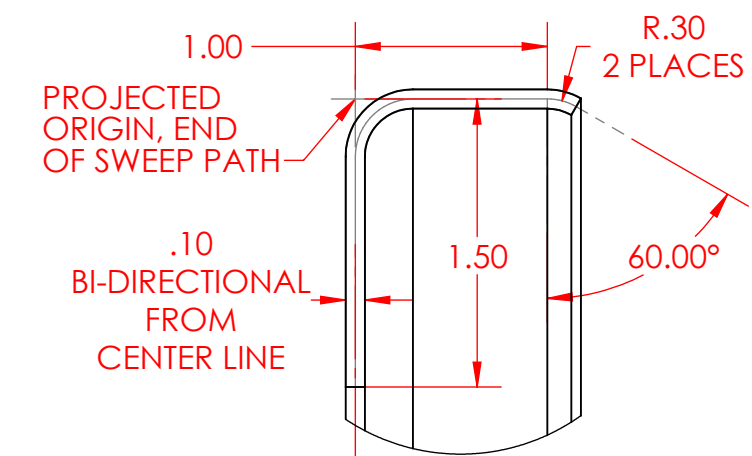


4

3

2

1

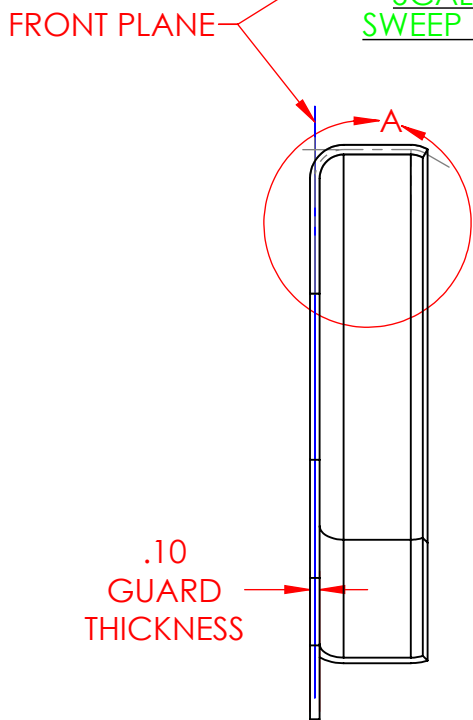


TOP VIEW

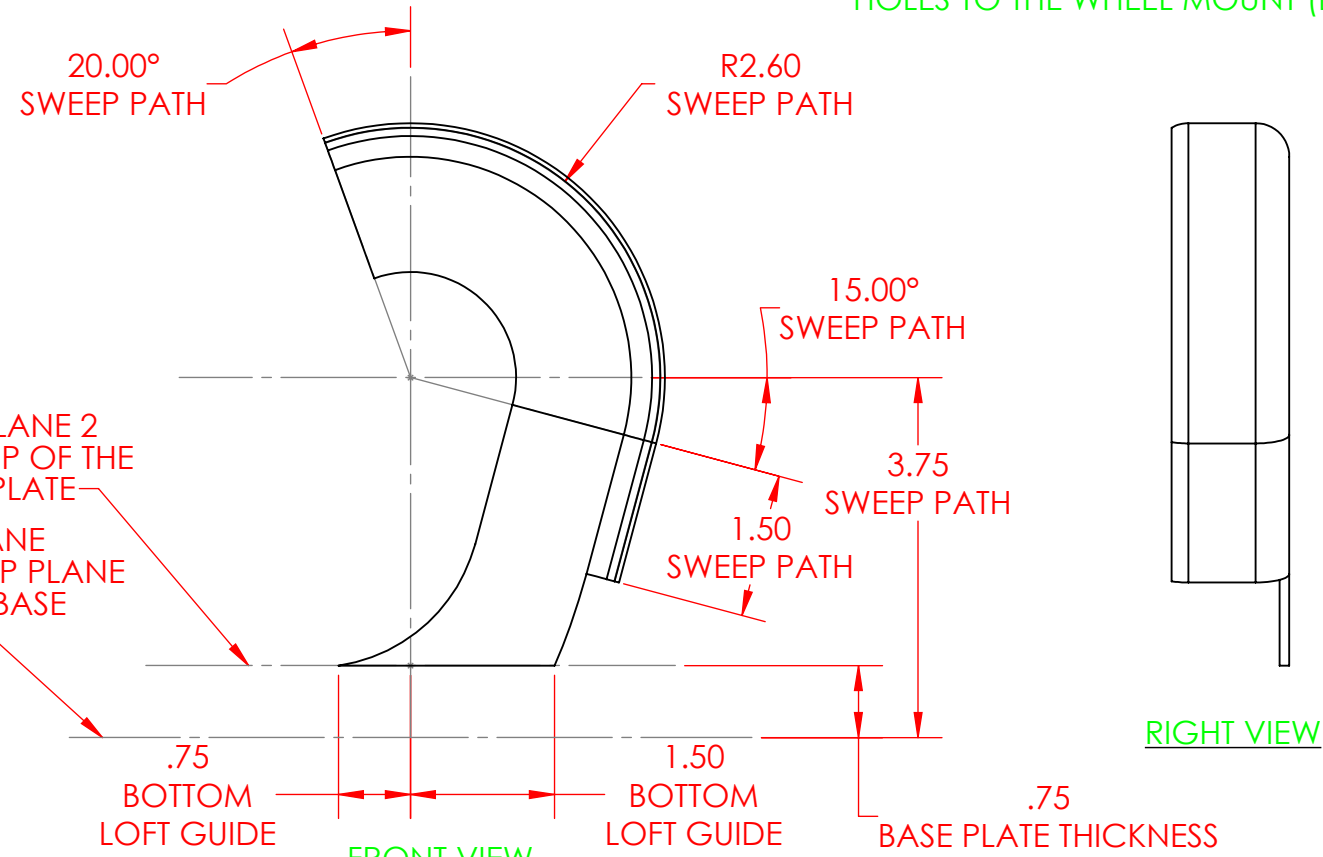
SHEET NOTES

1. EPDM PLASTIC MATERIAL
2. BEFORE LOFT - MASS PROPERTIES
 1. MASS: = 0.0509 POUNDS
 2. CENTER OF MASS: X = 1.3998, Y = 4.4693, Z = 0.3085
3. AFTER BOTTOM LOFT - MASS PROPERTIES
 1. MASS: = 0.0564 POUNDS
 2. CENTER OF MASS: X = 1.3507, Y = 4.1594, Z = 0.2787
4. (EXTRA CREDIT) LAST FEATURE, ADD HOLE WIZARD HOLES FOR ATTCHAMENT TO THE SARRUS WHEEL MOUNT (EXTRA CREDIT)
5. (EXTRA CREDIT) ADD COMPLIMENTARY HOLES TO THE WHEEL MOUNT (EXTRA CREDIT)

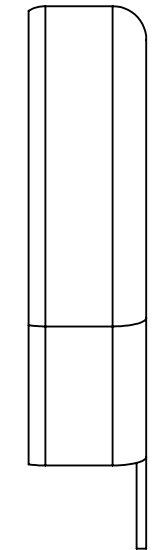
DETAIL A
SCALE 1:1
SWEEP PROFILE



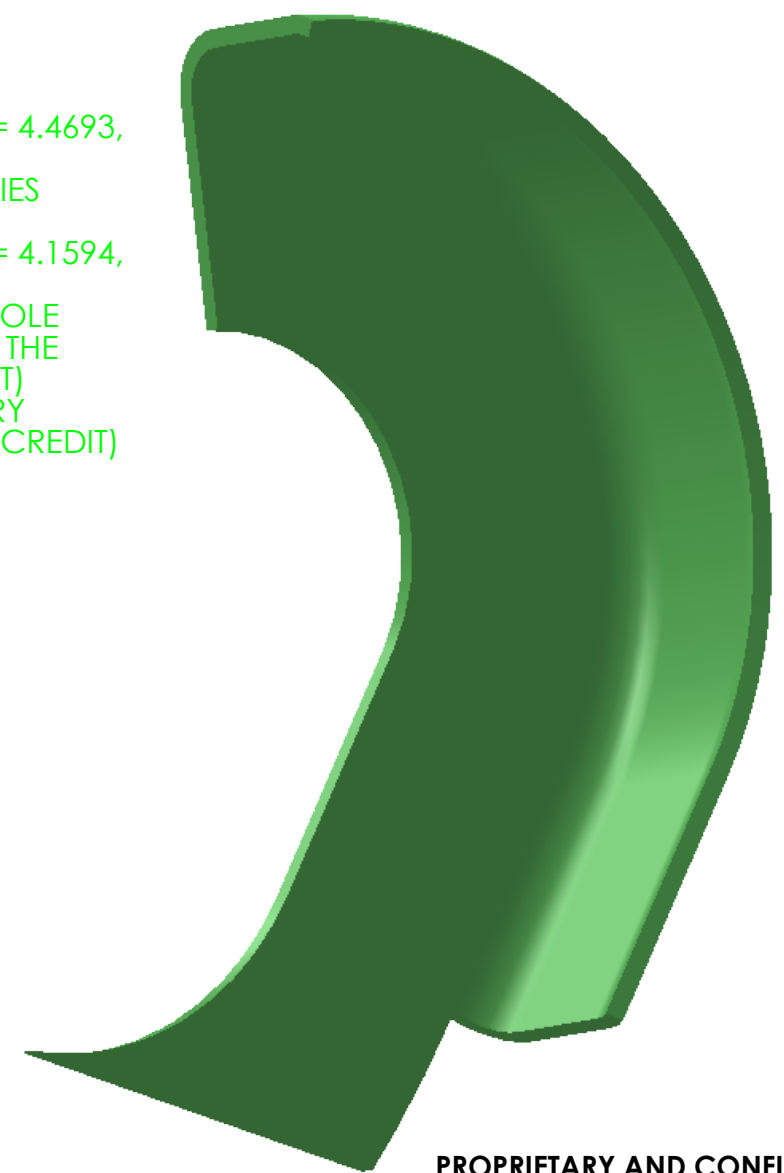
SWEEP PROFILE VIEW



FRONT VIEW
SWEEP PATH DETAILS
AND REFERENCE GEOMETRY



RIGHT VIEW



FRONT BOTTOM RIGHT
PERSPECTIVE VIEW

PROPRIETARY AND CONFIDENTIAL

THE INFORMATION CONTAINED IN THIS DRAWING AND ANY RELATED MATERIAL IS THE SOLE PROPERTY OF ENTERPRISE DESIGN AND INNOVATIONS. ANY SHARING OF THIS INFORMATION, IN WHOLE OR ANY PART THEREOF IS PROHIBITED WITHOUT EXPRESS WRITTEN CONSENT OF ENTERPRISE DESIGN AND INNOVATIONS.

SARRUS WHEEL GUARD				REVISIONS DATE:	ITEM:	NAME	DATE	UNITS IN INCHES TOLERANCES ARE 0.010 INCHES UNLESS OTHERWISE NOTED
						DRAWN	CSS	
SARRUS MECHANISM								
				CHECKED	000	000		
VARIOUS VIEWS								
				APPV.	000	000		
				MATERIAL EPDM				
SHEET	SHEET SCALE	SHEET SIZE	REV			VERSION DATE	10/16/2017	
1	1:2	B				SHEET FILE NAME: 171015-2016-Sarrus-Wheel-Guard-1		



4

3

2

1

B

B

A

A