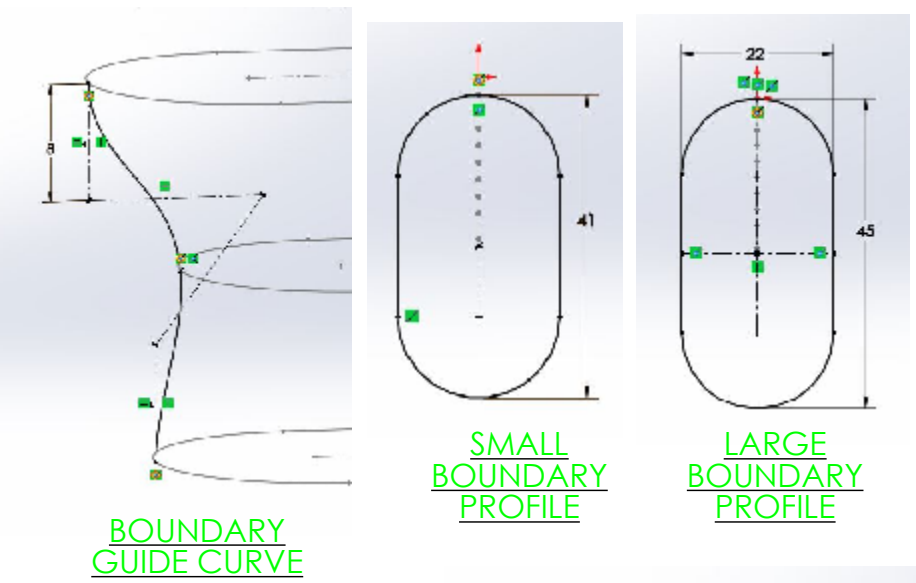
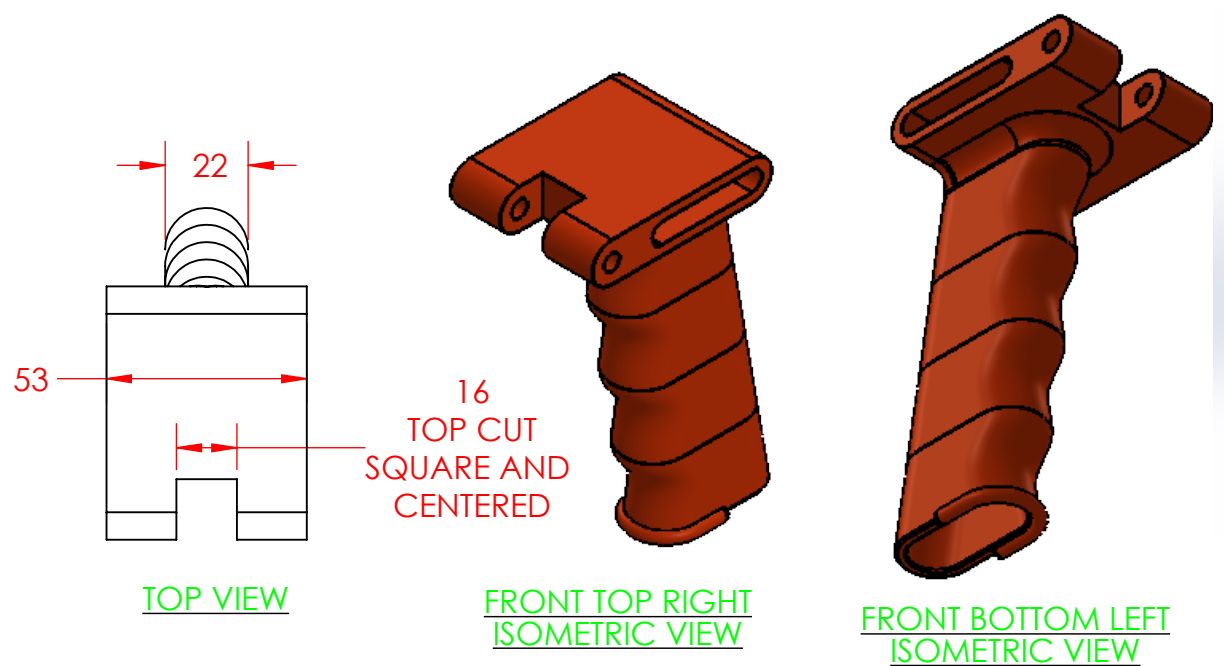


4

3

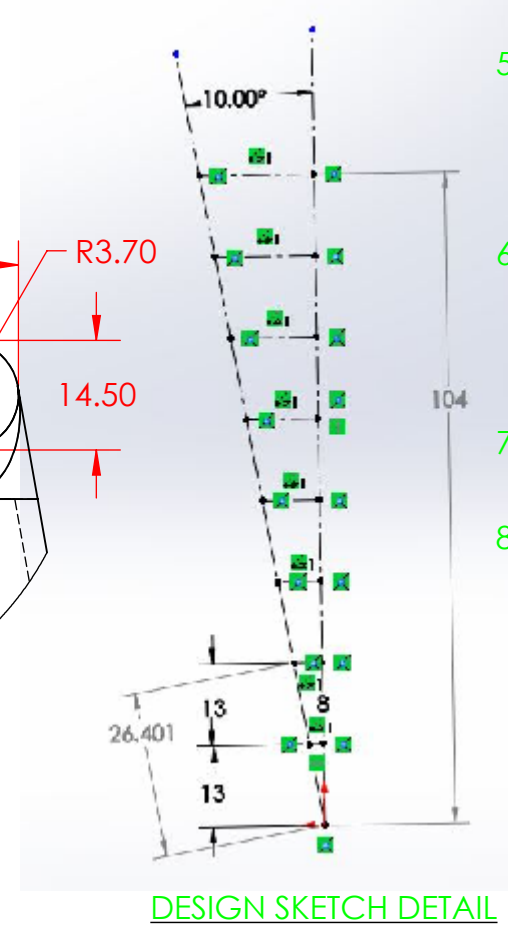
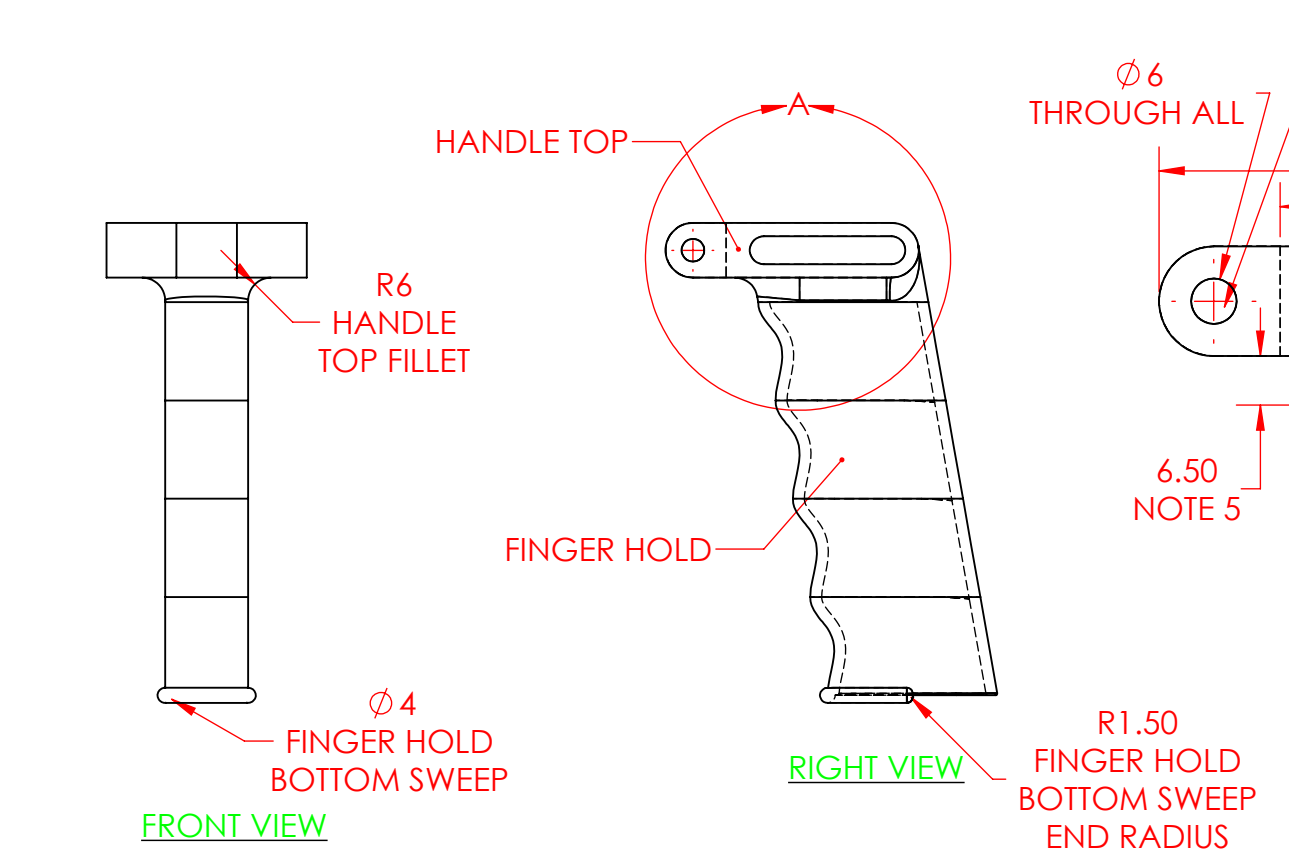
2

1



SHEET NOTES:

1. CREATE A DESIGN SKETCH - WHICH DRIVES THE BASIC SIZE AND SHAPE OF THE PART - ON THE RIGHT PLANE AS SHOWN.
2. FINGER HOLD FEATURE VIA BOUNDARY BOSS/BASE FEATURE - CREATE 3 PLANES PARALLEL TO AND ON TOP OF THE TOP PLANE USING REFERENCES FROM THE DESIGN SKETCH - CREATE THE THREE PROFILES ON THESE PLANES - LARGE PROFILE (2) - 22 X 45MM, SMALL PROFILE (1) 22 X 41, OFFSET BY 13MM EACH 26MM TOTAL. LINEAR PATTERN - 4 INSTANCES.
1. MASS = 28.389 GRAMS, CENTER OF MASS - X = 0.000, Y = 13.021, Z = 23.802
3. FINGER HOLD PATTERN - MASS = 113.556 GRAMS, CENTER OF MASS - X = 0.000, Y = 52.021, Z = 30.679.
4. FINGER HOLE SHELL - 3MM - BOTH TOP AND BOTTOM FACES - MASS = 41.619 GRAMS, CENTER OF MASS - X = 0.000, Y = 52.069, Z = 30.804.
5. FINGER HOLD BOTTOM SWEEP - BOTTOM FRONT PROFILE EDGE ONLY TO MIDPOINT, 4MM CIRCULAR PROFILE, 1.5MM END FILLET, REMAINING BOTTOM EDGE FILLET, BOTH SIDES, OF 0.5MM - MASS = 43.318, CENTER OF MASS - X = 0.000, Y = 51.205, Z = 30.901.
6. OFFSET AND DESIGN THE HANDLE TOP FEATURE AS A SEPARATE BODY FIRST THEN EXTRUDE THE HANDLE TO THE HANDLE TOP USING EXISTING GEOMETRY. HANDLE TOP TAPE GUIDE WITH EXTENSION AND FILLET - MASS = 114.789 GRAMS, CENTER OF MASS - X = 0.000, Y = 92.454, Z = 44.735.
7. HANDLE TOP TAPE GUIDE CUT - MASS = 110.432 GRAMS - CENTER OF MASS - X = 0.000, Y = 91.456, Z = 43.376.
8. HANDLE TOP SIDE CUTS - MASS = 88.901 - CENTER OF MASS - X = 0.000, Y = 85.088, Z = 42.437.



PROPRIETARY AND CONFIDENTIAL

THE INFORMATION CONTAINED IN THIS DRAWING AND ANY RELATED MATERIAL IS THE SOLE PROPERTY OF ENTERPRISE DESIGN AND INNOVATIONS. ANY SHARING OF THIS INFORMATION, IN WHOLE OR ANY PART THEREOF IS PROHIBITED WITHOUT EXPRESS WRITTEN CONSENT OF ENTERPRISE DESIGN AND INNOVATIONS.

DISPENSER HANDLE 6548				REVISIONS DATE:	ITEM:	NAME	DATE	UNITS IN MILLIMETERS TOLERANCES ARE 0.25 INCHES UNLESS OTHERWISE NOTED	
OFFICE PARTS						DRAWN	CSS		1/31/18
PLASTIC COMPONENTS						CHECKED	000		000
						APPV.	000		000
						MATERIAL	PVC Rigid		
SHEET 1	SHEET SCALE 1:2	SHEET SIZE B	REV			VERSION DATE	2/2/2018		
						SHEET FILE NAME: 04-Dispenser-Handle-Loft-Sweep-1			



4

3

2

1