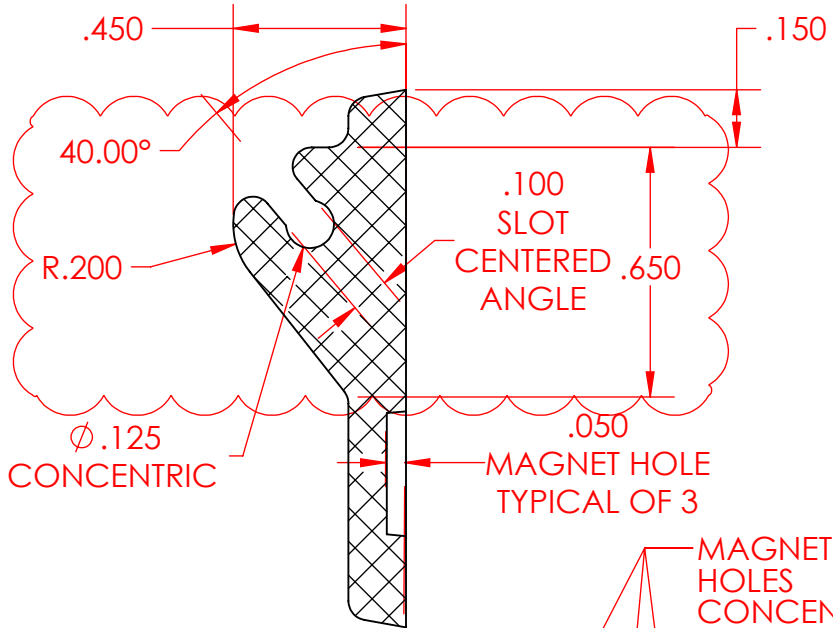
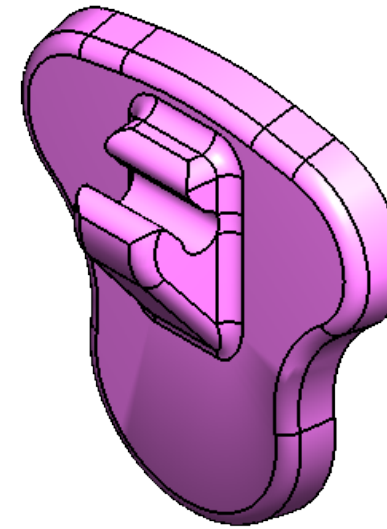


TOP VIEW



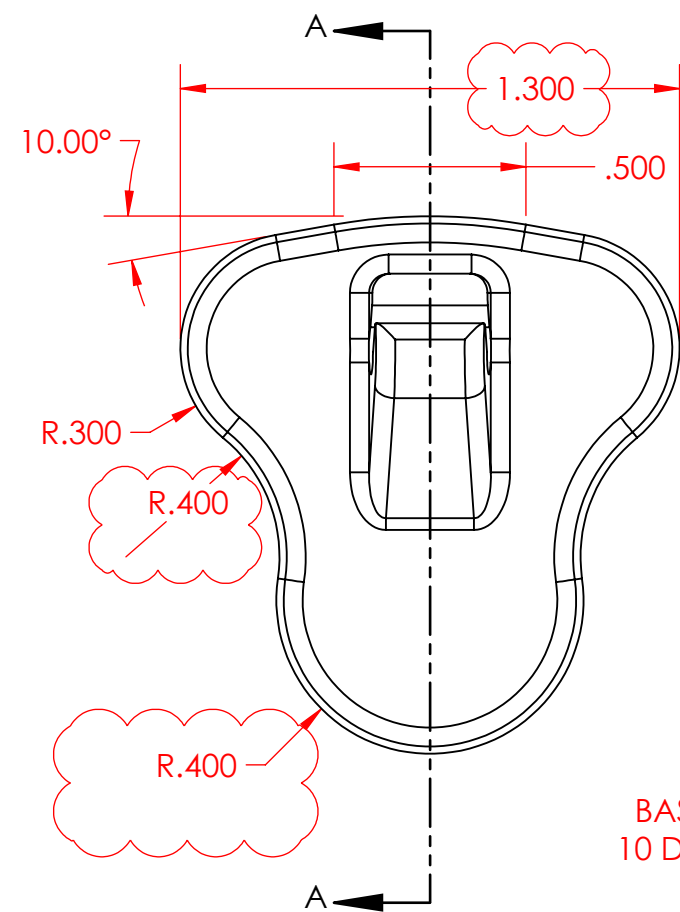
SECTION A-A



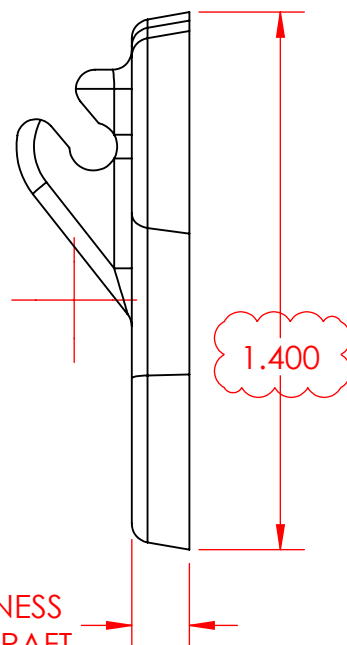
FRONT TOP RIGHT ISOMETRIC VIEW

SHEET NOTES FOR DESIGN:

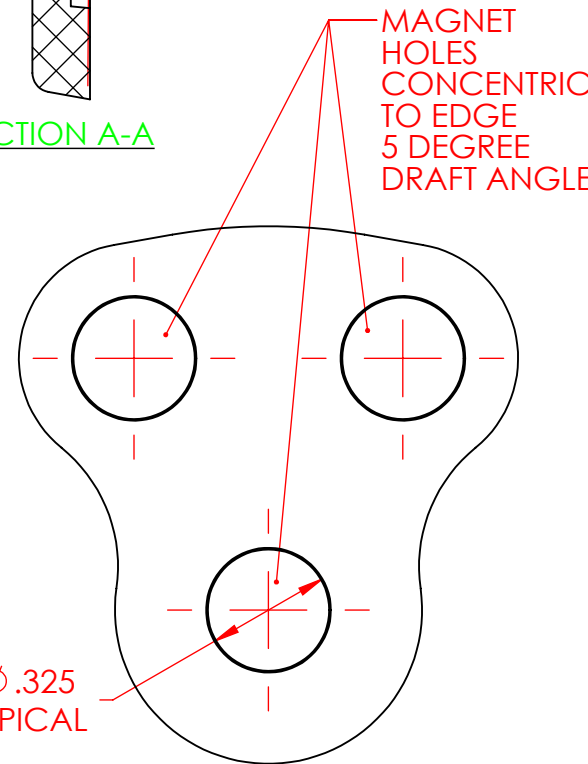
1. BASE FEATURE WITH 10 DEGREE DRAFT - MASS = 0.0063 POUNDS - CENTER OF MASS - X = 0.0000, Y = -0.6114, Z = 0.0738
2. HOOK MOUNT WITH DRAFT - MASS = 0.0076 POUNDS, CENTER OF MASS - X = 0.0000, Y = -0.5754, Z = 0.1079
3. HOOK MOUNT HOLE AND SLOT - MASS = 0.0073 POUNDS - CENTER OF MASS - X = 0.0000, Y = -0.5857, Z = 0.1011
4. FRONT FILLET SELECT THE EDGES AS SHOWN IN THE ISOMETRIC VIEWS, 0.050 INCHES
5. FINAL PROPERTIES - MASS = 0.0068 POUNDS, CENTER OF MASS - X = 0.0000, Y = -0.5884, Z = 0.1036



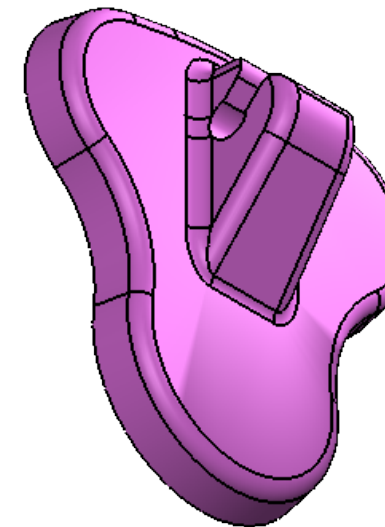
FRONT VIEW



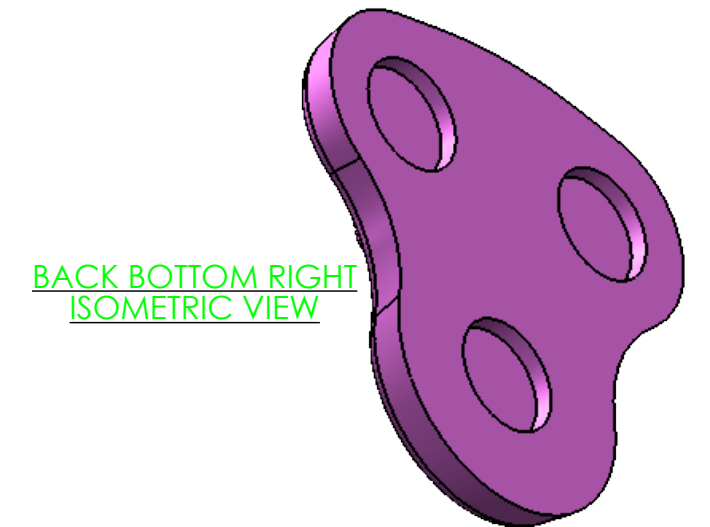
RIGHT VIEW



BACK VIEW



FRONT BOTTOM LEFT ISOMETRIC VIEW



BACK BOTTOM RIGHT ISOMETRIC VIEW

PROPRIETARY AND CONFIDENTIAL

THE INFORMATION CONTAINED IN THIS DRAWING AND ANY RELATED MATERIAL IS THE SOLE PROPERTY OF ENTERPRISE DESIGN AND INNOVATIONS. ANY SHARING OF THIS INFORMATION, IN WHOLE OR ANY PART THEREOF IS PROHIBITED WITHOUT EXPRESS WRITTEN CONSENT OF ENTERPRISE DESIGN AND INNOVATIONS.

MAGNET HOOK BASE 3 MODIFIED			
KITCHEN HARDWARE			
HARDWARE ITEMS			
SHEET 1	SHEET SCALE 2:1	SHEET SIZE B	REV 2/13/18

REVISIONS DATE:	ITEM:
2/13/18	PART UPDATES

NAME	DATE
DRAWN CSS	1/8/18
CHECKED 000	000
APPV. 000	000
MATERIAL	PE High Density
VERSION DATE	2/13/2018
SHEET FILE NAME: 07-Magnet-Hook-Body-03-Modify	

UNITS IN INCHES  
TOLERANCES ARE 0.010 INCHES UNLESS OTHERWISE NOTED

