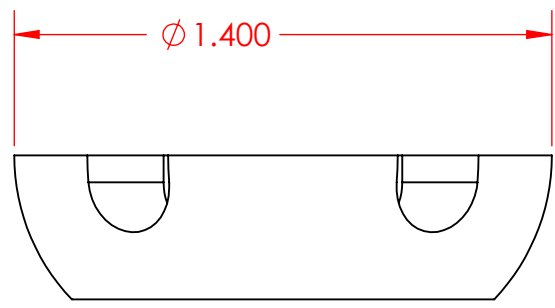


4

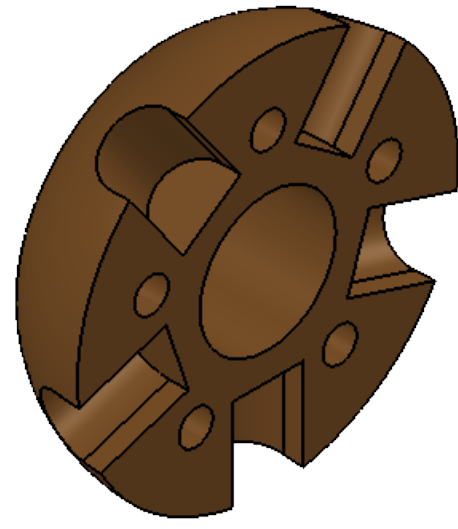
3

2

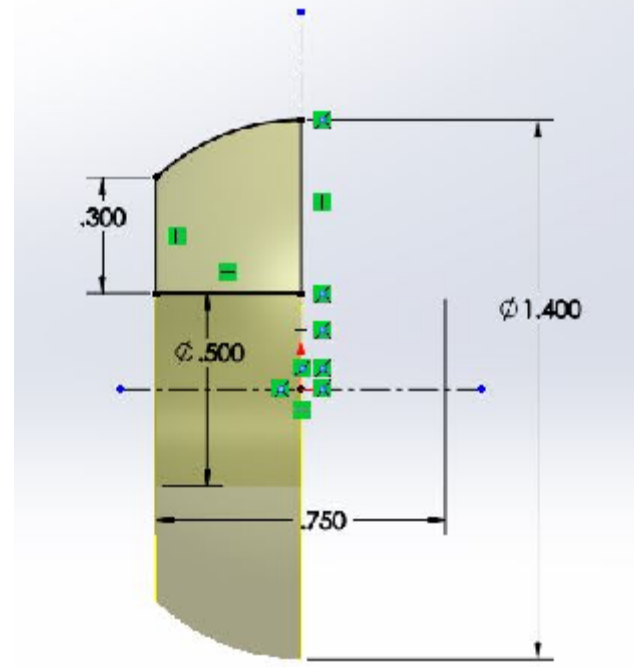
1



TOP VIEW



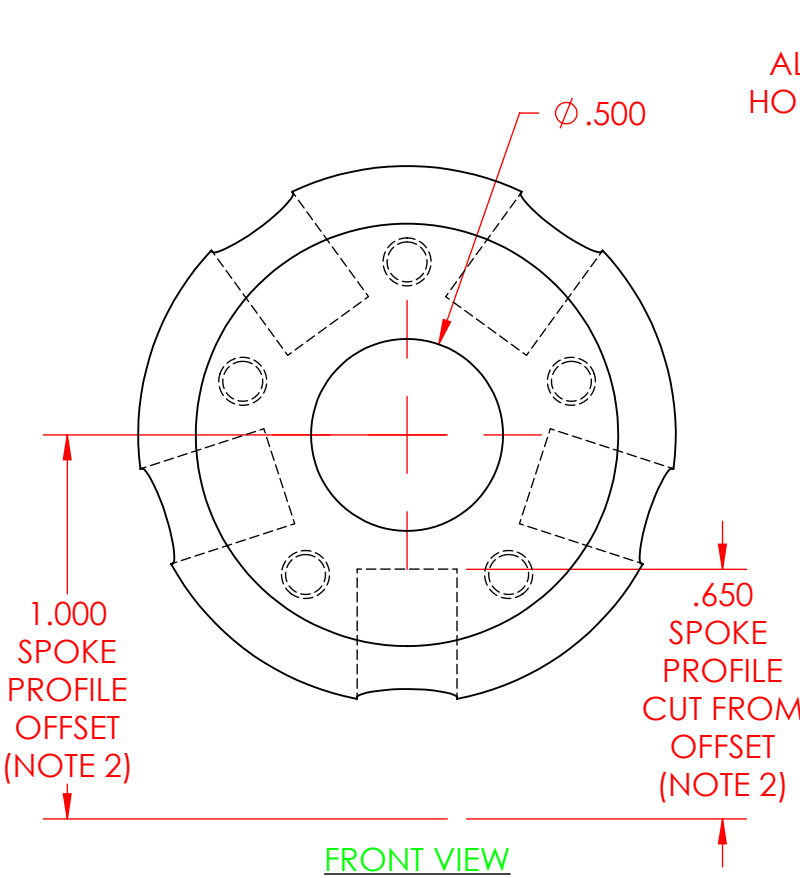
BACK TOP LEFT PERSPECTIVE VIEW



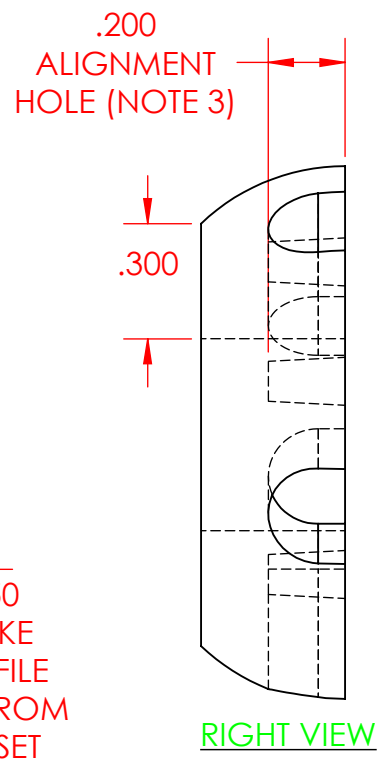
BASE FEATURE SKETCH

SHEET NOTES:

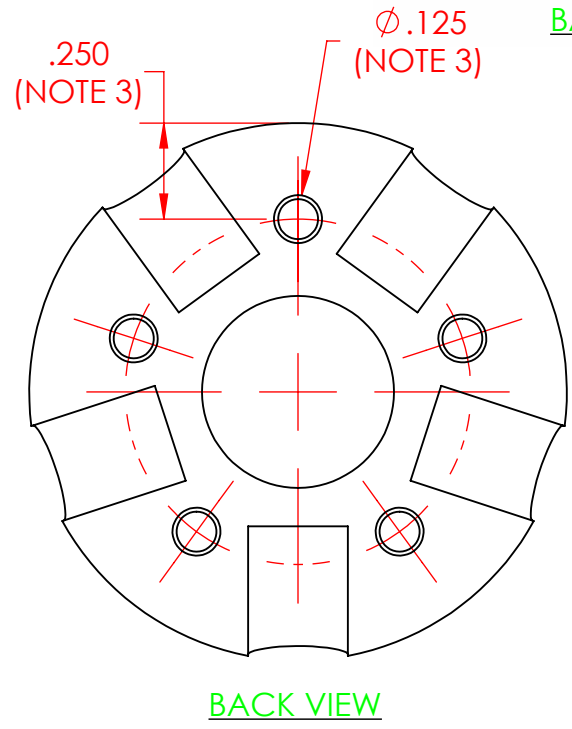
1. BASE FEATURE - MASS = 0.1153 POUNDS, CENTER OF MASS - X = 0.0000, Y = 0.0000, Z = 0.1716.
2. HUB SPOKE HOLES - OFFSET DOWN 1 INCH, CUT UP 0.6500 INCHES, MASS = 0.1112 POUNDS, CENTER OF MASS - X = 0.0000, Y = 0.0188, Z = 0.1747.
3. BACK ALIGNMENT SEED HOLE, 3 DEGREE DRAFT - MASS = 0.1107 POUNDS, CENTER OF MASS - X = 0.0000, Y = 0.0166, Z = 0.1751.
4. FINAL MASS PROPERTIES AFTER PATTERNS - MASS = 0.0924 POUNDS, CENTER OF MASS - X = 0.0000, Y = 0.0000, Z = 0.1924.



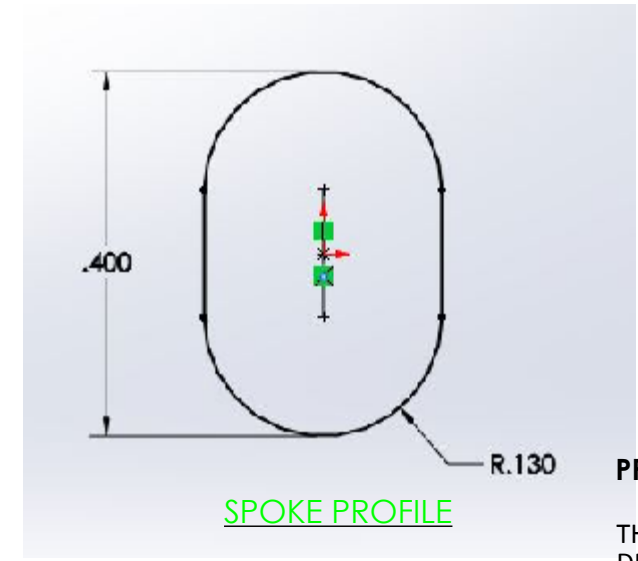
FRONT VIEW



RIGHT VIEW



BACK VIEW



SPOKE PROFILE

PROPRIETARY AND CONFIDENTIAL

THE INFORMATION CONTAINED IN THIS DRAWING AND ANY RELATED MATERIAL IS THE SOLE PROPERTY OF ENTERPRISE DESIGN AND INNOVATIONS. ANY SHARING OF THIS INFORMATION, IN WHOLE OR ANY PART THEREOF IS PROHIBITED WITHOUT EXPRESS WRITTEN CONSENT OF ENTERPRISE DESIGN AND INNOVATIONS.

SARRUS WHEEL - WHEEL HUB PARTS

WHEEL PARTS

SARRUS MECHANISM

REVISIONS DATE:	ITEM:

NAME	DATE
DRAWN CSS	2/24/18
CHECKED MEE	2/25/18
APPV. 000	000
MATERIAL Aluminum Bronze	
VERSION DATE	2/27/2018
SHEET FILE NAME: 180223-2016-Sarrus-Wheel-Wheel-Hub	

UNITS IN INCHES
TOLERANCES ARE 0.010 INCHES UNLESS OTHERWISE NOTED

SHEET 1	SHEET SCALE 2:1	SHEET SIZE B	REV
---------	-----------------	--------------	-----



4

3

2

1