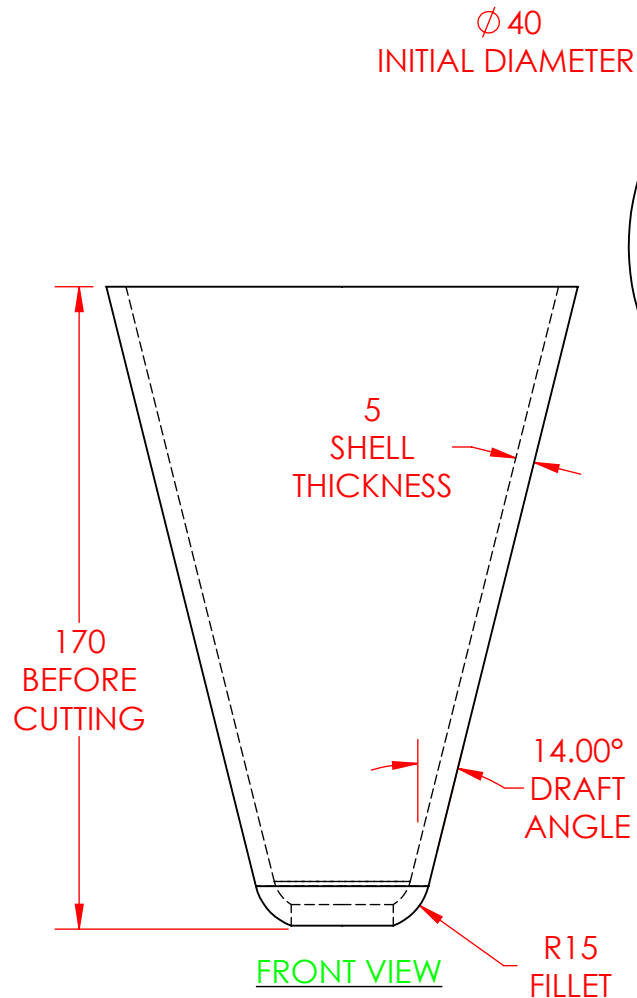
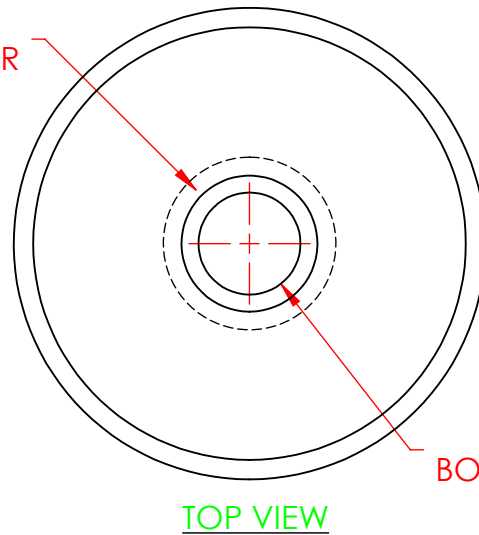


B



Ø 40  
INITIAL DIAMETER



**SHEET NOTES- SUGGESTED FEATURE ORDER:**

1. INITIAL CYLINDRICAL EXTRUDE UP FROM TOP PLANE WITH DRAFT - MASS = 591.718 GRAMS
2. FINAL - AFTER BOTTOM FILLET, TOP SHELL AND BOTTOM HOLE - MASS = 126.879 GRAMS - CENTER OF MASS X = 0.000, Y = 101.070, Z = 0.000

ISOMETRIC VIEW

**PROPRIETARY AND CONFIDENTIAL**

THE INFORMATION CONTAINED IN THIS DRAWING AND ANY RELATED MATERIAL IS THE SOLE PROPERTY OF ENTERPRISE DESIGN AND INNOVATIONS. ANY SHARING OF THIS INFORMATION, IN WHOLE OR ANY PART THEREOF IS PROHIBITED WITHOUT EXPRESS WRITTEN CONSENT OF ENTERPRISE DESIGN AND INNOVATIONS.

A

KO-KU DELUXE BABY TOY			NAME	DATE	UNITS IN MM
BOTTOM CONE			DRAWN	CSS	3/29/18
WOODEN TOYS			CHECKED	000	000
			APPV.	000	000
			PRINT DATE	3/29/2018	
			VERSION DATE	3/30/2018	
SHEET 1	SHEET SCALE 1:2	SHEET SIZE A	TOLERANCES ARE 0.2 MM UNLESS OTHERWISE NOTED		
			MAT. Mahogany		
SHEET FILE NAME: 01-KO-KU Deluxe					



2

1

B

A