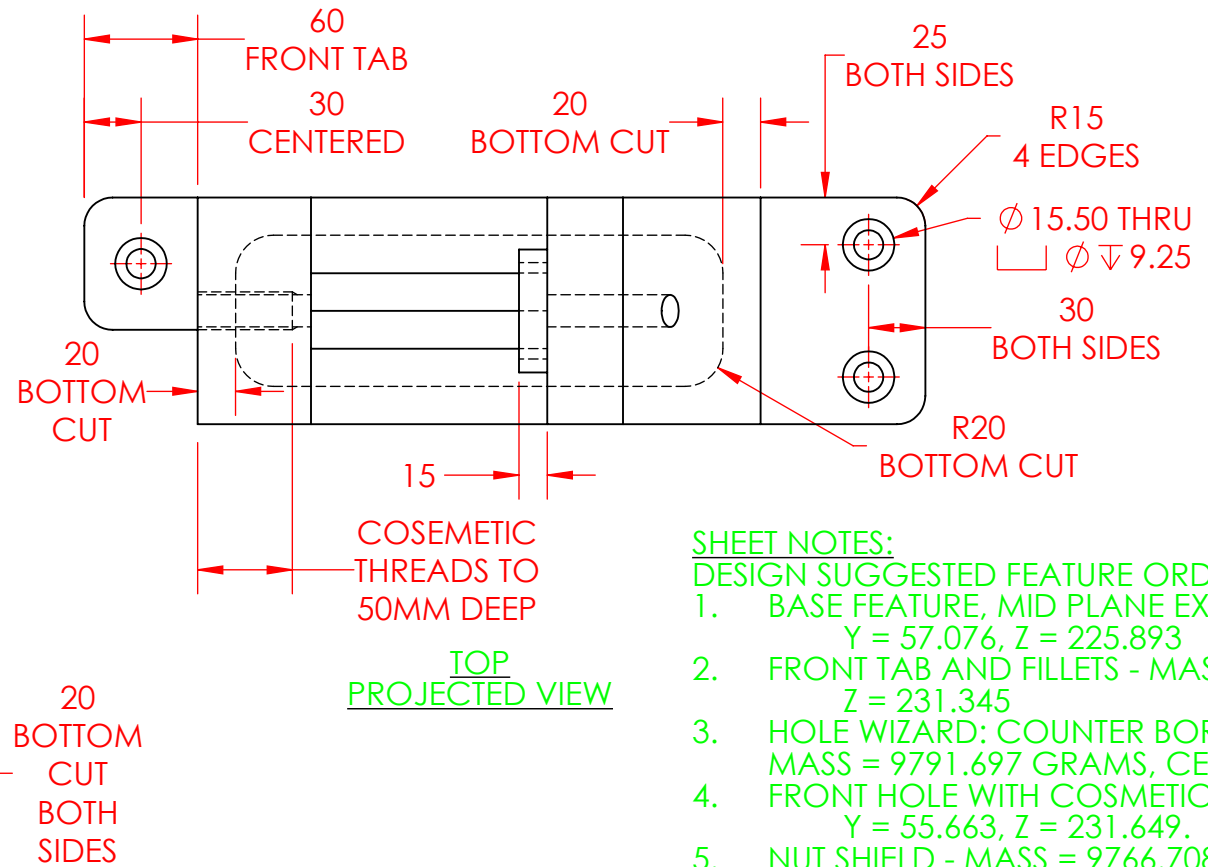
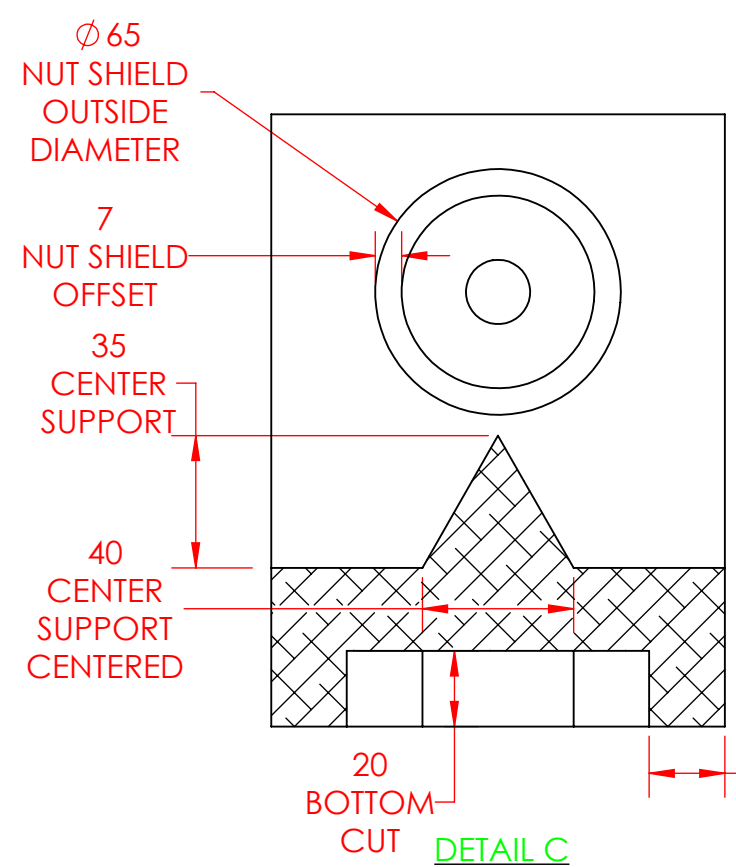


4

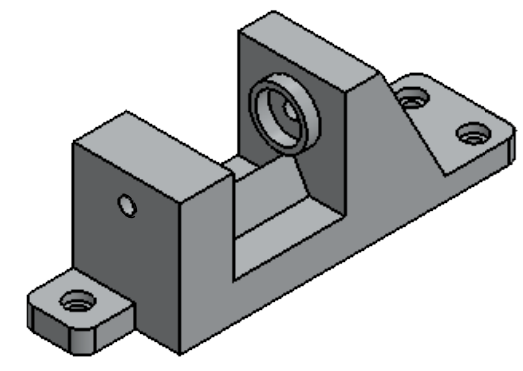
3

2

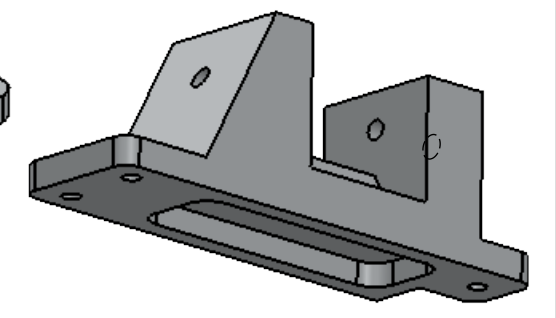
1



TOP PROJECTED VIEW



FRONT TOP RIGHT ISOMETRIC VIEW

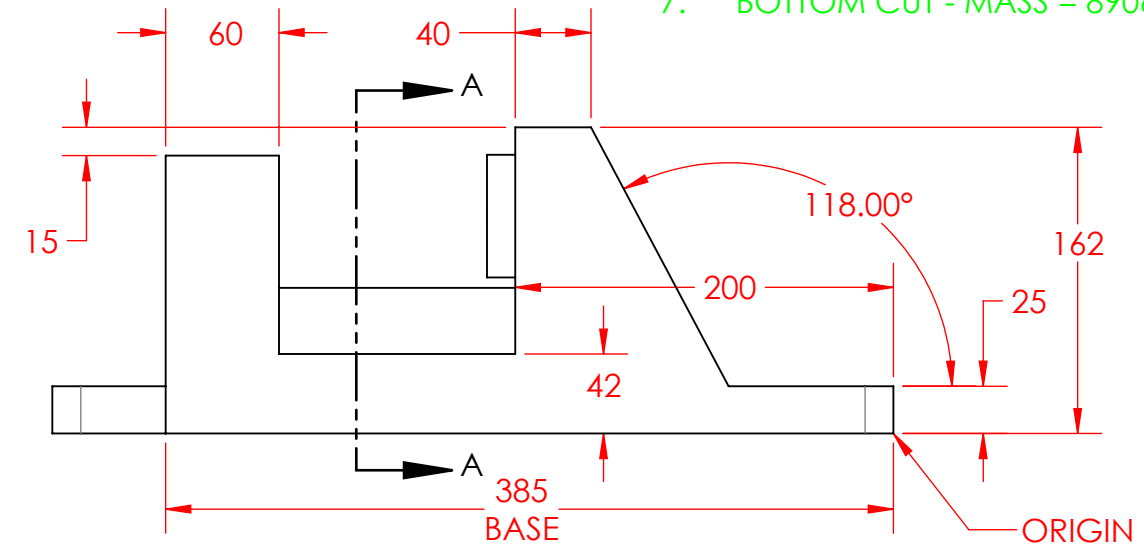
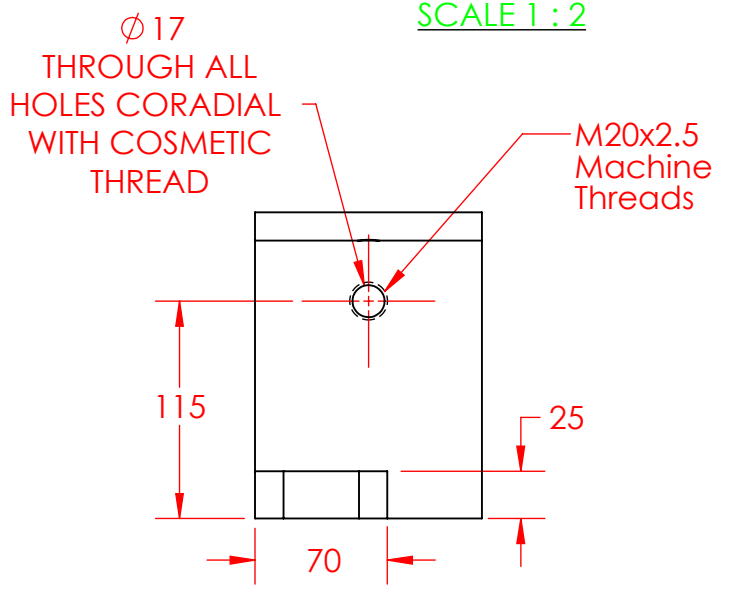


BACK BOTTOM LEFT ISOMETRIC VIEW

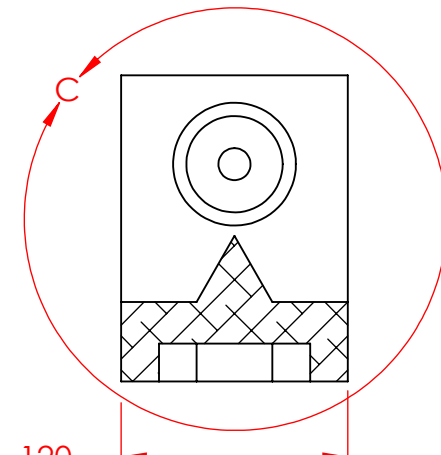
SHEET NOTES:

DESIGN SUGGESTED FEATURE ORDER

1. BASE FEATURE, MID PLANE EXTRUSION - MASS = 9588.628 GRAMS, CENTER OF MASS: X = 0, Y = 57.076, Z = 225.893
2. FRONT TAB AND FILLETS - MASS = 9859.592 GRAMS, CENTER OF MASS: X = -0.704, Y = 55.851, Z = 231.345
3. HOLE WIZARD: COUNTER BORE - ANSI METRIC, HEX BOLT ANSI B18.2.3.5M, SIZE M14, FIT: NORMAL. MASS = 9791.697 GRAMS, CENTER OF MASS: X = -0.651, Y = 56.128, Z = 231.851
4. FRONT HOLE WITH COSMETIC THREAD - MASS = 9714.955 GRAMS, CENTER OF MASS: X = -0.656, Y = 55.663, Z = 231.649.
5. NUT SHIELD - MASS = 9766.708 GRAMS, CENTER OF MASS: X = -0.652, Y = 55.978, Z = 231.521.
6. CENTER SUPPORT - MASS = 10003.396 GRAMS, CENTER OF MASS: X = -0.637, Y = 55.923, Z = 232.254.
7. BOTTOM CUT - MASS = 8906.022 GRAMS, CENTER OF MASS: X = -0.715, Y = 61.581, Z = 231.783.



RIGHT VIEW



SECTION A-A

PROPRIETARY AND CONFIDENTIAL

THE INFORMATION CONTAINED IN THIS DRAWING AND ANY RELATED MATERIAL IS THE SOLE PROPERTY OF ENTERPRISE DESIGN AND INNOVATIONS. ANY SHARING OF THIS INFORMATION, IN WHOLE OR ANY PART THEREOF IS PROHIBITED WITHOUT EXPRESS WRITTEN CONSENT OF ENTERPRISE DESIGN AND INNOVATIONS.

OFFSET BLOCK
 MACHINE BLOCKS
 MACHINE DEVICES

REVISIONS DATE:	ITEM:	NAME	DATE
		DRAWN CSS	4/3/18
		CHECKED HWE	4/3/18
		APPV. 000	000
		MATERIAL 1060-H12	
		VERSION DATE	4/3/2018
SHEET FILE NAME: 02-Offset-Block-2			

UNITS IN MILLIMETERS
 TOLERANCES ARE 0.010
 MILLIMETERS UNLESS
 OTHERWISE NOTED

SHEET 1	SHEET SCALE 1:4	SHEET SIZE B	REV
---------	-----------------	--------------	-----



4

3

2

1